

THE BRANCHING NERVE OF HDA AND THE KAN CONDITION

PHILIPPE GAUCHER

ABSTRACT. One can associate to any strict globular ω -category three augmented simplicial nerves called the globular nerve, the branching and the merging semi-cubical nerves. If this strict globular ω -category is freely generated by a precubical set, then the corresponding homology theories contain different informations about the geometry of the higher dimensional automaton modeled by the precubical set. Adding inverses in this ω -category to any morphism of dimension greater than 2 and with respect to any composition laws of dimension greater than 1 does not change these homology theories. In such a framework, the globular nerve always satisfies the Kan condition. On the other hand, both branching and merging nerves never satisfy it, except in some very particular and uninteresting situations. In this paper, we introduce two new nerves (the branching and merging semi-globular nerves) satisfying the Kan condition and having conjecturally the same simplicial homology as the branching and merging semi-cubical nerves respectively in such framework. The latter conjecture is related to the thin elements conjecture already introduced in our previous papers.

Contents

1	Introduction	75
2	Preliminaries	82
3	The negative semi-path ω -category of a non-contracting ω -category	85
4	The semi-path ω -category of the hypercube	89
5	Simplicial cut	95
6	Thin elements in simplicial cuts and reduced homology	96
7	Regular cut	97
8	The branching semi-globular nerve	99
9	Comparison with the branching semi-cubical nerve	101
10	Concluding discussion	103
11	Acknowledgments	104

1. Introduction

An ω -categorical model for higher dimensional automata (HDA) was first proposed in [13], followed by [9] for a first homological approach using these ideas and cubical models

Received by the editors 2001-07-27 and, in revised form, 2003-02-25.

Transmitted by Ross Street. Published on 2003-02-28.

2000 Mathematics Subject Classification: 55U10, 18G35, 68Q85.

Key words and phrases: cubical set, thin element, Kan complex, branching, higher dimensional automata, concurrency, homology theory.

© Philippe Gaucher, 2003. Permission to copy for private use granted.

of topological spaces as in [2].

The papers [6, 8] demonstrate that the formalism of *strict globular ω -categories* (see Definition 2.1) *freely generated by precubical sets* (see below) provides a suitable framework for the introduction of new algebraic tools devoted to the study of deformations of HDA. In particular, three augmented simplicial nerves are introduced in our previous papers: the *globular nerve* \mathcal{N}^{gl} , the *branching semi-cubical nerve* \mathcal{N}^- and the *merging semi-cubical nerve* \mathcal{N}^+ . Any ω -category freely generated by precubical sets is actually a *non-contracting ω -category* (see Definition 2.4 and [8] where a precubical set is called semi-cubical set) and most of the theorems known so far are expressible in this wider framework, hence the importance of the latter notion. In this paper as well, most of the results will be stated in the wider framework of non-contracting ω -categories.

A *precubical set* is a cubical set as in [2] but without degeneracy maps of any kind. It is easy to view such an object as a contravariant functor from some small category \square^{pre} to the category of sets. The objects of \square^{pre} are the nonnegative integers. The small category \square^{pre} is then the quotient of the free category generated by the arrows $\delta_i^\alpha : m \rightarrow m + 1$ for $m \geq 0$, $1 \leq i \leq m + 1$ and $\alpha \in \{-, +\}$ by the relations $\delta_j^\beta \delta_i^\alpha = \delta_i^\alpha \delta_{j-1}^\beta$ for $i < j$ and $\alpha \in \{-, +\}$.

Now let $K = (K_n)_{n \geq 0}$ be a precubical set. Let I^n be the n -dimensional cube viewed as a strict globular ω -category (see the reminder in Section 2). Then the *strict globular ω -category freely generated by K* is by definition the colimit $F(K) := \int^{n \in \square^{\text{pre}}} K_n.I^n$ where the notation $K_n.I^n$ means the coproduct of “cardinal of K_n ” copies of I^n . This construction induces a functor from the category of precubical sets (with the natural transformations of functors as morphisms) to the category ωCat of strict globular ω -categories. This functor is of course left adjoint to the precubical nerve functor from ωCat to the category of precubical sets. Any strict ω -category freely generated by a precubical set is necessarily non-contracting.

Non-contracting ω -categories freely generated by precubical sets encode the algebraic properties of execution paths and of higher dimensional homotopies between them in HDA. Indeed, the 0-morphisms represent the states of the HDA, the 1-morphisms the non-constant execution paths, and the p -morphisms with $p \geq 2$ the higher dimensional homotopies between them. R. Cridlig presents in [3] an implementation with CaML of the semantics of a real concurrent language in terms of *precubical sets*, demonstrating the relevance of this approach.

However, in such an ω -category $\mathcal{C} = F(K)$, if H is an homotopy (that is a 2-morphism) from an execution path (that is a 1-morphism) γ_1 to an execution path γ_2 , then it is natural to pose the existence of an opposite homotopy H^{-1} from γ_2 to γ_1 , that is satisfying $H^{-1} *_1 H = \gamma_2$ and $H *_1 H^{-1} = \gamma_1$. So any 2-morphism should be invertible with respect to $*_1$. Now let us suppose that we are considering an ω -category with a 3-morphism A from the 2-morphism s_2A to the 2-morphism t_2A . Let $(s_2A)^{-1}$ (resp. $(t_2A)^{-1}$) be the inverse of s_2A (resp. t_2A) with respect to $*_1$. If there are no holes between s_2A and t_2A because of A , then it is natural to think that there are no holes either between $(s_2A)^{-1}$ and $(t_2A)^{-1}$: therefore there should exist a 3-morphism A' such that $s_2A' = (s_2A)^{-1}$ and

$t_2A' = (t_2A)^{-1}$. Then $s_2(A *_1 A') = s_2A *_1 (s_2A)^{-1} = s_1A$. Therefore it is natural to assume $A *_1 A'$ to be 1-dimensional and so the equality $A *_1 A' = s_1A$ should hold. This means that not only a 3-morphism should be invertible with respect to $*_2$, because if there is a 3-dimensional homotopy from s_2A to t_2A , then there should exist a 3-dimensional homotopy from t_2A to s_2A , but also with respect to $*_1$. However the inverses of A with respect to $*_1$ and $*_2$ do not have any computer-scientific reason to be equal.

What we mean is that it is natural from a computer-scientific point of view to deal with non-contracting ω -categories whose corresponding *path ω -category* $\mathbb{P}\mathcal{C}$ (see Definition 2.6) is a *strict globular ω -groupoid* (see Definition 3.7). One would like to emphasize the fact that it is out of the question to suppose that the whole ω -category \mathcal{C} is an ω -groupoid because in our applications, the 1-morphisms of \mathcal{C} are *never* invertible, due to the irreversibility of time.

Let ωCat_1 be the category of non-contracting ω -categories with the non-contracting ω -functors as morphisms. Let $\omega\text{Cat}_1^{\text{Kan}}$ be the full and faithful subcategory of ωCat_1 whose objects are the non-contracting ω -categories \mathcal{C} such that $\mathbb{P}\mathcal{C}$ is a strict globular ω -groupoid. The forgetful functor from $\omega\text{Cat}_1^{\text{Kan}}$ to ωCat_1 commutes with limits. One can easily check that both categories ωCat_1 and $\omega\text{Cat}_1^{\text{Kan}}$ are complete. So by standard categorical arguments (for example the solution set condition [10]), this latter functor admits a left adjoint $\mathcal{C} \mapsto \widehat{\mathcal{C}}$ from ωCat_1 to $\omega\text{Cat}_1^{\text{Kan}}$.

What we claim is that it is then natural from a computer-scientific point of view to deal with ω -categories like $\widehat{F(K)}$ where K is a precubical set. But what do the three homology theories H^{gl} , H^- and H^+ corresponding to the simplicial nerves \mathcal{N}^{gl} , \mathcal{N}^- and \mathcal{N}^+ become? To understand the answer given in Theorem 1.7, we need to recall in an informal way the thin elements conjecture which already showed up in [7].

If C^{gl} (resp. C^\pm) is the unnormalized chain complex associated to \mathcal{N}^{gl} (resp. \mathcal{N}^\pm) and if CR^{gl} (resp. CR^\pm) is the chain complex which is the quotient of C^{gl} (resp. C^\pm) by the subcomplex generated loosely speaking by the elements without volume (the so-called thin elements, cf. Section 6), then

1.1. CONJECTURE. [7] (*The thin elements conjecture*) *Let K be a precubical set. Then the chain complex morphisms $C^{\text{gl}}(F(K)) \rightarrow \text{CR}^{\text{gl}}(F(K))$ and $C^\pm(F(K)) \rightarrow \text{CR}^\pm(F(K))$ induce isomorphisms in homology.*

As a matter of fact, it is also natural to think that

1.2. CONJECTURE. [7] (*The thin elements conjecture*) *Let G be a globular set. Let $\mathbb{F}G$ be the free strict globular ω -category generated by G (see Section 3). Then the chain complex morphisms $C^{\text{gl}}(\mathbb{F}G) \rightarrow \text{CR}^{\text{gl}}(\mathbb{F}G)$ and $C^\pm(\mathbb{F}G) \rightarrow \text{CR}^\pm(\mathbb{F}G)$ induce isomorphisms in homology.*

As explained in [7], the thin elements conjecture is closely related to the presence or not of relations like “ $a * b = c * d$ ” with $(a, b) \neq (c, d)$ in the composition laws of \mathcal{C} . Therefore it is plausible to think that

1.3. CONJECTURE. (*The extended thin elements conjecture*) Let K be a precubical set. Then the chain complex morphisms

$$C^{\text{gl}}(\widehat{F(K)}) \rightarrow \text{CR}^{\text{gl}}(\widehat{F(K)})$$

and

$$C^{\pm}(\widehat{F(K)}) \rightarrow \text{CR}^{\pm}(\widehat{F(K)})$$

induce isomorphisms in homology.

Conjecture 1.3 can also be formulated for free ω -categories generated by globular sets. In fact, one can even put forward a slightly more general statement :

1.4. CONJECTURE. *Le \mathcal{C} be a strict globular non-contracting ω -category such that the chain complex morphisms $C^{\text{gl}}(\mathcal{C}) \rightarrow \text{CR}^{\text{gl}}(\mathcal{C})$ and $C^{\pm}(\mathcal{C}) \rightarrow \text{CR}^{\pm}(\mathcal{C})$ induce isomorphisms in homology. Then the chain complex morphisms $C^{\text{gl}}(\widehat{\mathcal{C}}) \rightarrow \text{CR}^{\text{gl}}(\widehat{\mathcal{C}})$ and $C^{\pm}(\widehat{\mathcal{C}}) \rightarrow \text{CR}^{\pm}(\widehat{\mathcal{C}})$ induce isomorphisms in homology as well.*

Chain complexes CF^{\pm} called the *formal branching* and the *formal merging complexes* were introduced in [7] (cf. Definition 7.7). The *formal globular complex* CF^{gl} was introduced in [8] : the only difference with Definition 7.7 is that the relation $x = x *_0 y$ is removed.

1.5. DEFINITION. [8] *Let \mathcal{C} be a non-contracting ω -category. If X is a set, let $\mathbb{Z}X$ be the free abelian group generated by the set X . Let $\text{tr}^{n-1}\mathcal{C}$ be the set of morphisms of \mathcal{C} of dimension at most $n - 1$. Let*

- $\text{CF}_0^{\text{gl}}(\mathcal{C}) := \mathbb{Z}\mathcal{C}_0 \otimes \mathbb{Z}\mathcal{C}_0 \cong \mathbb{Z}(\mathcal{C}_0 \times \mathcal{C}_0)$
- $\text{CF}_1^{\text{gl}}(\mathcal{C}) := \mathbb{Z}\mathcal{C}_1$
- $\text{CF}_n^{\text{gl}}(\mathcal{C}) = \mathbb{Z}\mathcal{C}_n / \{x *_1 y = x + y, \dots, x *_n y = x + y \text{ mod } \mathbb{Z}\text{tr}^{n-1}\mathcal{C}\}$ for $n \geq 2$

with the differential map $s_{n-1} - t_{n-1}$ from $\text{CF}_n^{\text{gl}}(\mathcal{C})$ to $\text{CF}_{n-1}^{\text{gl}}(\mathcal{C})$ for $n \geq 2$ and $s_0 \otimes t_0$ from $\text{CF}_1^{\text{gl}}(\mathcal{C})$ to $\text{CF}_0^{\text{gl}}(\mathcal{C})$ where s_i (resp. t_i) is the i -dimensional source (resp. target) map. This chain complex is called the *formal globular complex*. The associated homology is denoted by $\text{HF}^{\text{gl}}(\mathcal{C})$ and is called the *formal globular homology* of \mathcal{C} .

Using results of [7, 8], we already know that the folding operators (cf. Section 7) of respectively the globular nerve and the branching/merging semi-cubical nerves induce morphisms of chain complexes $\text{CF}^{\text{gl}}(\mathcal{C}) \rightarrow \text{CR}^{\text{gl}}(\mathcal{C})$ and $\text{CF}^{\pm}(\mathcal{C}) \rightarrow \text{CR}^{\pm}(\mathcal{C})$ which are onto for any strict non-contracting globular ω -category \mathcal{C} . The following conjectures were then put forward :

1.6. CONJECTURE. [7, 8] *The folding operators (cf. Section 7) of respectively the globular nerve and the branching/merging semi-cubical nerves induce quasi-isomorphisms of chain complexes*

$$\mathrm{CF}^{\mathrm{gl}}(\mathcal{C}) \rightarrow \mathrm{CR}^{\mathrm{gl}}(\mathcal{C})$$

and

$$\mathrm{CF}^{\pm}(\mathcal{C}) \rightarrow \mathrm{CR}^{\pm}(\mathcal{C})$$

for any strict non-contracting globular ω -category \mathcal{C} .

We can now answer the question above.

1.7. THEOREM. *Let K be a precubical set. Assume that Conjecture 1.1, Conjecture 1.3 and Conjecture 1.6 above hold. Then the morphisms of chain complexes*

$$C^{\mathrm{gl}}(F(K)) \rightarrow C^{\mathrm{gl}}(\widehat{F(K)})$$

and

$$C^{\pm}(F(K)) \rightarrow C^{\pm}(\widehat{F(K)})$$

induce isomorphisms in homology.

PROOF. Let us consider the following commutative diagram :

$$\begin{array}{ccccc} H^{\mathrm{gl}}(F(K)) & \xrightarrow{\cong} & \mathrm{HR}^{\mathrm{gl}}(F(K)) & \xleftarrow{\cong} & \mathrm{HF}^{\mathrm{gl}}(F(K)) \\ \downarrow & & \downarrow & & \downarrow \\ H^{\mathrm{gl}}(\widehat{F(K)}) & \xrightarrow{\cong} & \mathrm{HR}^{\mathrm{gl}}(\widehat{F(K)}) & \xleftarrow{\cong} & \mathrm{HF}^{\mathrm{gl}}(\widehat{F(K)}) \end{array}$$

By an easy calculation, one can check that the linear map $\mathrm{HF}^{\mathrm{gl}}(F(K)) \rightarrow \mathrm{HF}^{\mathrm{gl}}(\widehat{F(K)})$ is an isomorphism. Hence the result for the globular homology. The argument is similar for both branching and merging semi-cubical homology theories. ■

What do we get by working with $\widehat{F(K)}$ instead of $F(K)$? The globular nerve becomes Kan. Indeed its simplicial part is nothing else but the simplicial nerve of the path ω -category $\mathbb{P}\widehat{F(K)}$ of $\widehat{F(K)}$ which turns out to be a strict globular ω -groupoid [8].

So now we can ask the question: do the branching and merging semi-cubical nerves $\mathcal{N}^-(\widehat{F(K)})$ and $\mathcal{N}^+(\widehat{F(K)})$ satisfy the Kan condition as well? The answer is: almost never. A counterexample is given at the end of [8]. Let us recall it. Consider the 2-source of $R(000)$ in Figure 1 where $R(0+0)$ is removed. Consider both inclusion ω -functors from I^2 to respectively $R(-00)$ and $R(00-)$. Then the Kan condition fails because one cannot make the sum of $R(-00)$ and $R(00-)$ since $R(0+0)$ is removed.

The purpose of this paper is to find two new augmented simplicial nerves of non-contracting ω -category $\mathcal{N}^{\mathrm{gl}^-}(\mathcal{C})$ and $\mathcal{N}^{\mathrm{gl}^+}(\mathcal{C})$ called the *branching and merging semi-globular nerves* such that the following statements hold :

1. there exist natural morphisms of chain complexes $C^-(\mathcal{C}) \rightarrow C^{\text{gl}^-}(\mathcal{C})$, $\text{CR}^-(\mathcal{C}) \rightarrow \text{CR}^{\text{gl}^-}(\mathcal{C})$, $C^+(\mathcal{C}) \rightarrow C^{\text{gl}^+}(\mathcal{C})$ and $\text{CR}^+(\mathcal{C}) \rightarrow \text{CR}^{\text{gl}^+}(\mathcal{C})$ for any non-contracting ω -category \mathcal{C} such that the following squares of chain complexes are commutative :

$$\begin{array}{ccc} C^-(\mathcal{C}) & \longrightarrow & C^{\text{gl}^-}(\mathcal{C}) \\ \downarrow & & \downarrow \\ \text{CR}^-(\mathcal{C}) & \longrightarrow & \text{CR}^{\text{gl}^-}(\mathcal{C}) \end{array} \quad \begin{array}{ccc} C^+(\mathcal{C}) & \longrightarrow & C^{\text{gl}^+}(\mathcal{C}) \\ \downarrow & & \downarrow \\ \text{CR}^+(\mathcal{C}) & \longrightarrow & \text{CR}^{\text{gl}^+}(\mathcal{C}) \end{array}$$

2. If \mathcal{C} is an object of $\omega\text{Cat}_1^{\text{Kan}}$, then the simplicial sets $\mathcal{N}^{\text{gl}^-}(\mathcal{C})$ and $\mathcal{N}^{\text{gl}^+}(\mathcal{C})$ satisfy the Kan condition.
3. The new simplicial nerves $\mathcal{N}^{\text{gl}^-}$ and $\mathcal{N}^{\text{gl}^+}$ fit the formalism of regular cut, as the old branching and merging nerves do. As a consequence, there exist folding operators Φ^{gl^\pm} and $\square_n^{\text{gl}^\pm}$ inducing morphisms of chain complexes $\text{CF}^{\text{gl}^\pm}(\mathcal{C}) = \text{CF}^\pm(\mathcal{C}) \rightarrow \text{CF}^{\text{gl}^\pm}(\mathcal{C})$ which are onto (and conjecturally quasi-isomorphisms) for any strict non-contracting ω -category \mathcal{C} .
4. There exist two morphisms of augmented simplicial sets $\mathcal{N}^{\text{gl}} \rightarrow \mathcal{N}^{\text{gl}^-}$ and $\mathcal{N}^{\text{gl}} \rightarrow \mathcal{N}^{\text{gl}^+}$ which do what we want, that is associating in homology to any empty oriented globe its corresponding branching and merging areas of execution paths (as in [8]) : cf. Figure 2 in Section 9.

Let K be a precubical set. Then there will exist a commutative diagram

$$\begin{array}{ccccc} H^{\text{gl}^\pm}(F(K)) & \xrightarrow{\cong} & \text{HR}^{\text{gl}^\pm}(F(K)) & \xleftarrow{\cong} & \text{HF}^\pm(F(K)) \\ \downarrow & & \downarrow & & \downarrow \\ H^{\text{gl}^\pm}(\widehat{F(K)}) & \xrightarrow{\cong} & \text{HR}^{\text{gl}^\pm}(\widehat{F(K)}) & \xleftarrow{\cong} & \text{HF}^\pm(\widehat{F(K)}) \end{array}$$

where the isomorphisms are conjectural. Notice that the formal branching (resp. merging) homology associated to the branching (resp. merging) semi-globular nerve is the same as that associated to the branching (resp. merging) semi-cubical nerve. In particular, for a strict globular ω -category freely generated by a precubical set, the branching (resp. merging) semi-globular and semi-cubical homologies conjecturally coincide.

The reader may find that a lot of conjectures remain to be proved. This is certainly true but they require new ideas to be resolved and the computer-scientific motivations are helpless. The study of HDA provides new combinatorial conjectures (exactly as in [7, 8]) which need new ideas to be proved.

How to construct the branching semi-globular nerve $\mathcal{N}^{\text{gl}^-}(\mathcal{C})$ (and by symmetry the merging semi-globular nerve $\mathcal{N}^{\text{gl}^+}(\mathcal{C})$)? We already said that the formal homology theory associated to the branching semi-globular nerve is expected to be the same as that of the branching semi-cubical nerve. And the formal branching complex of a given ω -category \mathcal{C}

is exactly the formal globular complex of an ω -category “ $\mathcal{C}/(x = x *_0 y)$ ” where “ $\mathcal{C}/(x = x *_0 y)$ ” would be an ω -category associated to \mathcal{C} in which the relation $x = x *_0 y$ is forced (for $\dim(x) \geq 1$).

So loosely speaking, the branching semi-globular nerve of a strict globular ω -category \mathcal{C} will be the globular nerve of “ $\mathcal{C}/(x = x *_0 y)$ ”. Looking back to our counterexample, one sees that $R(-00)$ and $R(00-)$ become composable because in “ $\mathcal{C}/(x = x *_0 y)$ ”, $t_1R(-00) = s_1R(00-) = R(-0-)$. The construction of “ $\mathcal{C}/(x = x *_0 y)$ ” is concretely implemented in Section 3. The corresponding globular nerve will be called *the branching semi-globular cut* $\mathcal{N}^{\text{gl}^-}(\mathcal{C})$ of \mathcal{C} .

The organization of the paper is as follows. Section 2 recalls our conventions of notations and also Steiner’s formulas in ω -complexes: these formulas are indeed crucial for several proofs of this paper. In Section 3, the construction of “ $\mathcal{C}/(x = x *_0 y)$ ” (it is called the *negative semi-path ω -category* $\mathbb{P}^-\mathcal{C}$ of \mathcal{C}) is presented. Some elementary facts about the latter are proved. In Section 4, the technical core of the paper, the negative semi-path ω -category of the hypercube is completely calculated in any dimension (see Theorem 4.9 and Corollary 4.10). This calculation will indeed be fundamental to construct in Section 9 the canonical natural transformation from the branching semi-cubical cut to the branching semi-globular cut. Section 5 exposes a generalization of the notion of *simplicial cut* initially introduced in [8]. The reason of this generalization is that the branching semi-globular cut does not exactly match the old definition. Section 6 then recalls the notion of *thin elements* and at last Section 7 the notion of *regular cut*. The latter definition is necessary to construct the *folding operators*. Each definition introduced in Section 5, Section 6 and Section 7 is illustrated with the case of the branching semi-cubical situation (i.e. the old definition of the branching complex). At last the definition of the branching semi-globular nerve in Section 8 and the comparison with the branching semi-cubical nerve in Section 9.

Of course all constructions of this paper may be applied to the case of the merging nerve in an obvious way. The Kan version of the merging nerve will be called the *merging semi-globular nerve*. Figure 2 is a recapitulation of all simplicial constructions obtained so far (including these of this paper).

This work is part of a research project which aims at setting up an appropriate algebraic setting for the study deformations of HDA which leave invariant their computer-scientific properties. See [5] for a sketch of a description of the project.

Let us conclude by some remarks about the terminology. A lot of functors have been introduced so far and some coherence in their naming is necessary. Let \mathcal{C} be a non-contracting globular ω -category.

1. $\mathbb{P}\mathcal{C}$ is the *path ω -category* of \mathcal{C} .
2. $\mathbb{P}^-\mathcal{C}$ is the *negative semi-path ω -category* of \mathcal{C} and $\mathbb{P}^+\mathcal{C}$ its *positive semi-path ω -category*.
3. For $\alpha \in \{-, +\}$, $\mathbb{P}^\alpha\mathcal{C}$ is the *semi-path ω -category* of \mathcal{C} .

4. The nerve $\mathcal{N}^-(\mathcal{C})$ is the *branching semi-cubical nerve* of \mathcal{C} and $\mathcal{N}^+(\mathcal{C})$ its *merging semi-cubical nerve*. Without further precision about $\alpha \in \{-, +\}$, $\mathcal{N}^\alpha(\mathcal{C})$ is the *semi-cubical nerve*. It is called *corner nerve* in previous publications.
5. The simplicial homology shifted by one of the branching semi-cubical nerve is called the *branching semi-cubical homology* and the simplicial homology shifted by one of the merging semi-cubical nerve is called the *merging semi-cubical homology*.
6. The nerve $\mathcal{N}^{\text{gl}^-}(\mathcal{C})$ is the *branching semi-globular nerve* of \mathcal{C} and $\mathcal{N}^{\text{gl}^+}(\mathcal{C})$ its *merging semi-globular nerve*. Without further precision about $\alpha \in \{-, +\}$, $\mathcal{N}^{\text{gl}^\alpha}(\mathcal{C})$ is the *semi-globular nerve*.
7. The simplicial homology shifted by one of the branching semi-globular nerve is called the *branching semi-globular homology* and is denoted by $H_{n+1}^{\text{gl}^-}(\mathcal{C}) := H_n(\mathcal{N}^{\text{gl}^-}(\mathcal{C}))$; the simplicial homology shifted by one of the merging semi-globular nerve is called the *merging semi-globular homology* and is denoted by $H_{n+1}^{\text{gl}^+}(\mathcal{C}) := H_n(\mathcal{N}^{\text{gl}^+}(\mathcal{C}))$.

2. Preliminaries

The reader who is familiar with papers [6, 7, 8] may want to skip this section.

2.1. DEFINITION. [1, 16, 14] *An ω -category is a set A endowed with two families of maps $(s_n = d_n^-)_{n \geq 0}$ and $(t_n = d_n^+)_{n \geq 0}$ from A to A and with a family of partially defined 2-ary operations $(*_n)_{n \geq 0}$ where for any $n \geq 0$, $*_n$ is a map from $\{(a, b) \in A \times A, t_n(a) = s_n(b)\}$ to A ((a, b) being carried over a $*_n b$) which satisfies the following axioms for all α and β in $\{-, +\}$:*

1.
$$d_m^\beta d_n^\alpha x = \begin{cases} d_m^\beta x & \text{if } m < n \\ d_n^\alpha x & \text{if } m \geq n \end{cases}$$

2. $s_n x *_n x = x *_n t_n x = x$

3. *if $x *_n y$ is well-defined, then $s_n(x *_n y) = s_n x$, $t_n(x *_n y) = t_n y$ and for $m \neq n$,*

$$d_m^\alpha(x *_n y) = d_m^\alpha x *_n d_m^\alpha y$$

4. *as soon as the two members of the following equality exist, then $(x *_n y) *_n z = x *_n (y *_n z)$*

5. *if $m \neq n$ and if the two members of the equality make sense, then $(x *_n y) *_m (z *_n w) = (x *_m z) *_n (y *_m w)$*

6. *for any x in A , there exists a natural number n such that $s_n x = t_n x = x$ (the smallest of these numbers is called the *dimension* of x and is denoted by $\dim(x)$).*

We will sometimes use the notations $d_n^- := s_n$ and $d_n^+ = t_n$. If x is a morphism of an ω -category \mathcal{C} , we call $s_n(x)$ the n -source of x and $t_n(x)$ the n -target of x . The category of all ω -categories (with the obvious morphisms) is denoted by ωCat . The corresponding morphisms are called ω -functors.

Roughly speaking, our ω -categories are strict, globular and contain only morphisms of finite dimension. If \mathcal{C} is an object of ωCat , then $\text{tr}^n \mathcal{C}$ denotes the set of morphisms of \mathcal{C} of dimension at most n and \mathcal{C}_n the set of morphisms of dimension exactly n . The map tr^n induces for any $n \geq 0$ a functor from ωCat to itself.

2.2. DEFINITION. *Let \mathcal{C} be an ω -category. Then \mathcal{C} is said non-contracting if and only if for any morphism x of \mathcal{C} of dimension at least 1, then $s_1 x$ and $t_1 x$ are 1-dimensional.*

2.3. DEFINITION. *Let f be an ω -functor from \mathcal{C} to \mathcal{D} . The morphism f is non-contracting if for any 1-dimensional $x \in \mathcal{C}$, the morphism $f(x)$ is a 1-dimensional morphism of \mathcal{D} (a priori, $f(x)$ could be either 0-dimensional or 1-dimensional).*

2.4. NOTATION. *The category of non-contracting ω -categories with the non-contracting ω -functors is denoted by ωCat_1 .*

2.5. NOTATION. *If \mathcal{C} is a non-contracting ω -category, one can consider the ω -category $\mathbb{P}\mathcal{C}$ such that $(\mathbb{P}\mathcal{C})_i := \mathcal{C}_{i+1}$, $*_i^{\mathbb{P}\mathcal{C}} = *_i^{\mathcal{C}}$, $*_i^{\mathbb{P}\mathcal{C}} = *_i^{\mathcal{C}}$ and $*_i^{\mathbb{P}\mathcal{C}} = *_i^{\mathcal{C}}$ for any $i \geq 0$. The n -source (resp. the n -target, the n -dimensional composition law) of $\mathbb{P}\mathcal{C}$ will still be denoted by s_{n+1} (resp. t_{n+1} , $*_{n+1}$) to avoid possible confusion.*

2.6. DEFINITION. *The ω -category $\mathbb{P}\mathcal{C}$ is called the path ω -category of \mathcal{C} . The mapping \mathbb{P} yields a functor from ωCat_1 to ωCat .*

Fundamental examples of ω -categories are the ω -category associated to the n -dimensional cube and the one associated to the n -dimensional simplex (the former is denoted by I^n and the latter by Δ^n). Both families of ω -categories can be characterized in the same way. The first step consists of labeling all faces of the n -cube and of the n -simplex. For the n -cube, this consists of considering all words of length n in the alphabet $\{-, 0, +\}$, one word corresponding to the barycenter of a face (with $00\dots 0$ (n times) $=: 0_n$ corresponding to its interior). As for the n -simplex, its faces are in bijection with strictly increasing sequences of elements of $\{0, 1, \dots, n\}$. A sequence of length $p + 1$ will be of dimension p . If x is a face, let $R(x)$ be the set of subfaces of x (including x) seen respectively as a sub-cube or a sub-simplex. If X is a set of faces, then let $R(X) = \bigcup_{x \in X} R(x)$. Notice that $R(X \cup Y) = R(X) \cup R(Y)$, $R(X \cap Y) = R(X) \cap R(Y)$ and $R(\{x\}) = R(x)$. Then I^n and Δ^n are the unique ω -categories such that the underlying set is a subset of $\{R(X), X \text{ set of faces}\}$ satisfying the following properties :

1. For x a p -dimensional face of I^n (resp. Δ^n) with $p \geq 1$, $s_{p-1}(R(x)) = R(s_x)$ and $t_{p-1}(R(x)) = R(t_x)$ where s_x and t_x are the sets of faces defined below.

2. If X and Y are two elements of I^n (resp. Δ^n) such that $t_p(X) = s_p(Y)$ for some p , then $X \cup Y$ belongs to I^n (resp. Δ^n) and $X \cup Y = X *_p Y$.

Only the definitions of s_x and t_x differ between the construction of the family of Δ^n and that of I^n . Let us give the computation rule in some examples. For the cube, the i -th zero is replaced by $(-)^i$ (resp. $(-)^{i+1}$) for s_x (resp. t_x). For example, one has $s_{0+00} = \{-+00, 0++0, 0+0-\}$ and $t_{0+00} = \{++00, 0+-0, 0+0+\}$. For the simplex, $s_{(04589)} = \{(4589), (0489), (0458)\}$ (the elements in odd position are removed) and $t_{(04589)} = \{(0589), (0459)\}$ (the elements in even position are removed).

One can also notice that if X is an element of I^n or Δ^n , then $X = R(X)$.

Both Δ^n and I^n are examples of ω -complexes in the sense of [15] where the atoms are the elements of the form $R(\{x\})$ where x is a face of Δ^n (resp. I^n). In such situations, Steiner's paper [15] proves that the calculation rules are very simple and that they can be summarized as follows :

1. If X and Y are two elements of I^n (resp. Δ^n) such that $t_p(X) = s_p(Y)$ for some p , then not only $X \cup Y$ belongs to I^n (resp. Δ^n) and $X \cup Y = X *_p Y$ but also $t_p(X) = s_p(Y) = X \cap Y$.
2. For x a p -dimensional face of I^n (resp. Δ^n) with $p \geq 0$, set $\partial^- R(x) := s_{p-1} R(x) = R(s_x)$ if $p > 0$ and $\partial^- R(x) := \emptyset$ if $p = 0$ and set $\partial^+ R(x) := t_{p-1} R(x) = R(t_x)$ if $p > 0$ and $\partial^+ R(x) := \emptyset$ if $p = 0$; then for any X in I^n (resp. Δ^n), then

$$d_n^\alpha X = \left(\bigcup_{a \in X, \dim(a) \leq n} R(a) \right) \setminus \left(\bigcup_{b \in X, \dim(b) = n+1} (R(b) \setminus \partial^\alpha R(b)) \right)$$

with $d_n^- = s_n$ and $d_n^+ = t_n$.

In a simplicial set, the face maps are always denoted by ∂_i , the degeneracy maps by ϵ_i . Here are the other conventions about simplicial sets and simplicial homology theories (see for example [11] for further information) :

1. Sets: category of sets
2. $\text{Sets}^{\Delta^{\text{op}}}$: category of simplicial sets
3. $\text{Sets}_+^{\Delta^{\text{op}}}$: category of augmented simplicial sets
4. Comp: category of chain complexes of abelian groups
5. $C(A)$: unnormalized chain complex of the simplicial set A
6. $H_*(A)$: simplicial homology of a simplicial set A
7. Ab: category of abelian groups
8. Id : identity map
9. $\mathbb{Z}S$: free abelian group generated by the set S

3. The negative semi-path ω -category of a non-contracting ω -category

Before going further in the construction of the negative semi-path ω -category of a non-contracting ω -category, one needs to recall some well-known facts about globular sets [17]. Let us consider the small category Glob defined as follows: the objects are all natural numbers and the arrows are generated by s and t in $\text{Glob}(m, m-1)$ for any $m > 0$ and by the relations $s \circ s = s \circ t$, $t \circ s = t \circ t$. By definition, a globular set is a covariant functor from Glob to the category of sets Sets . Let us denote by \mathcal{G}_ω the corresponding category. Let \mathbb{U} be the forgetful functor from ωCat to \mathcal{G}_ω . One can prove by standard categorical arguments the existence of a left adjoint \mathbb{F} for \mathbb{U} (see [12] for an explicit construction of this left adjoint).

3.1. DEFINITION. *If G is a globular set, then the ω -category $\mathbb{F}G$ is called the free ω -category generated by the globular set G .*

Let \mathcal{C} be a non-contracting ω -category. Let us denote by \mathcal{R}^- the equivalence relation which is the reflexive, symmetric and transitive closure of the subset

$$\{(x, x *_0 y); (x, y, x *_0 y) \in \mathbb{P}\mathcal{C} \times \mathbb{P}\mathcal{C} \times \mathbb{P}\mathcal{C}\}$$

of $\mathbb{P}\mathcal{C} \times \mathbb{P}\mathcal{C}$. Now consider the underlying globular set $\mathbb{U}\mathbb{P}\mathcal{C}$ of the path ω -category of a non-contracting ω -category \mathcal{C} . Since \mathcal{C} is non-contracting, $s_i(\mathbb{P}\mathcal{C}) \subset \mathbb{P}\mathcal{C}$ and $t_i(\mathbb{P}\mathcal{C}) \subset \mathbb{P}\mathcal{C}$ for any $i \geq 1$ and the maps s_i and t_i from $\mathbb{P}\mathcal{C}$ to itself pass to the quotient for $i \geq 1$ because $s_i(x *_0 y) = s_i x *_0 s_i y$ and $t_i(x *_0 y) = t_i x *_0 t_i y$ for any $i \geq 1$.

Let $\phi : \mathbb{U}\mathbb{P}\mathcal{C} \rightarrow \mathbb{U}\mathbb{P}\mathcal{C}/\mathcal{R}^-$ be the canonical morphism of globular sets induced by \mathcal{R}^- . The identity map $\mathbb{U}\mathbb{P}\mathcal{C} \rightarrow \mathbb{U}\mathbb{P}\mathcal{C}$ provides the canonical morphism of ω -categories $\eta_{\mathbb{P}\mathcal{C}} : \mathbb{F}\mathbb{U}\mathbb{P}\mathcal{C} \rightarrow \mathbb{F}\mathbb{P}\mathcal{C}$, η being the counit of the adjunction (\mathbb{F}, \mathbb{U}) . Then let us consider the following pushout in ωCat :

$$\begin{array}{ccc} \mathbb{F}(\mathbb{U}\mathbb{P}\mathcal{C}) & \xrightarrow{\mathbb{F}(\phi)} & \mathbb{F}(\mathbb{U}\mathbb{P}\mathcal{C}/\mathcal{R}^-) \\ \eta_{\mathbb{P}\mathcal{C}} \downarrow & & \downarrow A \\ \mathbb{P}\mathcal{C} & \xrightarrow{h^-} & \mathbb{P}^- \mathcal{C} \end{array}$$

3.2. DEFINITION. *Let \mathcal{C} be a non-contracting ω -category. The ω -category $\mathbb{P}^- \mathcal{C}$ defined above is called the negative semi-path ω -category of \mathcal{C} .*

The negative semi-path ω -category $\mathbb{P}^- \mathcal{C}$ of \mathcal{C} intuitively contains the germs of non-constant execution paths of \mathcal{C} beginning in the same way and the germs of higher dimensional homotopies between them. The construction above yields a functor $\mathbb{P}^- : \omega\text{Cat}_1 \rightarrow \omega\text{Cat}$ and a natural transformation $h^- : \mathbb{P} \rightarrow \mathbb{P}^-$ between functors from ωCat_1 to ωCat .

3.3. PROPOSITION. *Consider the construction of $\mathbb{P}^- \mathcal{C}$ above. Then any element of $\mathbb{P}^- \mathcal{C}$ is a composite of elements of the form $A(x)$ with $x \in \mathbb{F}(\mathbb{U}\mathbb{P}\mathcal{C}/\mathcal{R}^-)$.*

PROOF. First let us make a short digression. Let $\mathcal{C} \begin{array}{c} \xrightarrow{f} \\ \xrightarrow{g} \end{array} \mathcal{D}$ be a pair of ω -functors f and g from an ω -category \mathcal{C} to an ω -category \mathcal{D} . Then the coequalizer $h : \mathcal{D} \rightarrow \mathcal{E}$ of f and g always exists in ωCat and any element of \mathcal{E} is a composite of elements of the form $h(x)$ where x runs over \mathcal{D} (otherwise take the image of \mathcal{D} in the coequalizer : this image still satisfies the universal property of the equalizer).

Since the canonical ω -functor $h^- \oplus A : \mathbb{P}\mathcal{C} \oplus \mathbb{F}(\mathbb{U}\mathbb{P}\mathcal{C}/\mathcal{R}^-) \rightarrow \mathbb{P}^-\mathcal{C}$ is the coequalizer of $\mathbb{F}(\phi)$ and $\eta_{\mathbb{P}\mathcal{C}}$, the previous remark does apply (the symbol \oplus meaning the direct sum in ωCat , which coincides with the disjoint union). But $h^- \oplus A$ identifies any element of $\mathbb{P}\mathcal{C}$ with an element of $\mathbb{F}(\mathbb{U}\mathbb{P}\mathcal{C}/\mathcal{R}^-)$ therefore any element of $\mathbb{P}^-\mathcal{C}$ is a composite of elements of the form $A(x)$ with x running over $\mathbb{F}(\mathbb{U}\mathbb{P}\mathcal{C}/\mathcal{R}^-)$. ■

3.4. THEOREM. [Universal property satisfied by \mathbb{P}^-] *Let \mathcal{C} be a non-contracting ω -category. Let \mathcal{D} be an object of ωCat . Let $\mu : \mathbb{P}\mathcal{C} \rightarrow \mathcal{D}$ be an ω -functor such that for any $x, y \in \mathbb{P}\mathcal{C}$, $x\mathcal{R}^-y$ implies $\mu(x) = \mu(y)$ in \mathcal{D} . Then there exists a unique ω -functor $\widehat{\mu} : \mathbb{P}^-\mathcal{C} \rightarrow \mathcal{D}$ such that $\mu = \widehat{\mu} \circ h^-$.*

PROOF. Let $\mu : \mathbb{P}\mathcal{C} \rightarrow \mathcal{D}$ be an ω -functor such that for any $x, y \in \mathbb{P}\mathcal{C}$, $x\mathcal{R}^-y$ implies $\mu(x) = \mu(y)$ in \mathcal{D} . Then μ induces a morphism of globular sets $\mathbb{U}(\mu) : \mathbb{U}\mathbb{P}\mathcal{C} \rightarrow \mathbb{U}\mathcal{D}$ and by hypothesis, $\mathbb{U}(\mu)$ gives rise to a morphism of globular sets $\widehat{\mathbb{U}(\mu)} : \mathbb{U}\mathbb{P}\mathcal{C}/\mathcal{R}^- \rightarrow \mathbb{U}\mathcal{D}$ such that $\widehat{\mathbb{U}(\mu)} \circ \phi = \mathbb{U}(\mu)$. Then the composite

$$\mathbb{F}(\mathbb{U}\mathbb{P}\mathcal{C}/\mathcal{R}^-) \xrightarrow{\mathbb{F}(\widehat{\mathbb{U}(\mu)})} \mathbb{F}\mathbb{U}\mathcal{D} \xrightarrow{\eta_{\mathcal{D}}} \mathcal{D}$$

yields an ω -functor from $\mathbb{F}(\mathbb{U}\mathbb{P}\mathcal{C}/\mathcal{R}^-)$ to \mathcal{D} . Since $\eta : \mathbb{F}\mathbb{U} \rightarrow \text{Id}_{\omega\text{Cat}}$ is a natural transformation, one gets the commutative diagram

$$\begin{array}{ccc} \mathbb{F}\mathbb{U}(\mathbb{P}\mathcal{C}) & \xrightarrow{\mathbb{F}\mathbb{U}(\mu)} & \mathbb{F}\mathbb{U}(\mathcal{D}) \\ \eta_{\mathbb{P}\mathcal{C}} \downarrow & & \eta_{\mathcal{D}} \downarrow \\ \mathbb{P}\mathcal{C} & \xrightarrow{\mu} & \mathcal{D} \end{array}$$

so the equality $\eta_{\mathcal{D}} \circ \mathbb{F}\mathbb{U}(\mu) = \mu \circ \eta_{\mathbb{P}\mathcal{C}}$ holds. Therefore $\eta_{\mathcal{D}} \circ \mathbb{F}(\widehat{\mathbb{U}(\mu)}) \circ \mathbb{F}(\phi) = \eta_{\mathcal{D}} \circ \mathbb{F}\mathbb{U}(\mu) = \mu \circ \eta_{\mathbb{P}\mathcal{C}}$. One then obtains the commutative diagram

$$\begin{array}{ccc} \mathbb{F}(\mathbb{U}\mathbb{P}\mathcal{C}) & \xrightarrow{\mathbb{F}(\phi)} & \mathbb{F}(\mathbb{U}\mathbb{P}\mathcal{C}/\mathcal{R}^-) \\ \eta_{\mathbb{P}\mathcal{C}} \downarrow & & \downarrow A \\ \mathbb{P}\mathcal{C} & \xrightarrow{h^-} & \mathbb{P}^-\mathcal{C} \end{array} \quad \begin{array}{c} \searrow \eta_{\mathcal{D}} \circ \mathbb{F}(\widehat{\mathbb{U}(\mu)}) \\ \downarrow \\ \mathcal{D} \end{array}$$

μ

Therefore there exists a unique natural transformation $\widehat{\mu} : \mathbb{P}^- \mathcal{C} \rightarrow \mathcal{D}$ such that $\widehat{\mu} \circ A = \eta_{\mathcal{D}} \circ \mathbb{F}(\widehat{\mathbb{U}(\mu)})$ and such that $\widehat{\mu} \circ h^- = \mu$, i.e. making the following diagram commutative:

$$\begin{array}{ccccc}
 \mathbb{F}(\mathbb{UPC}) & \xrightarrow{\mathbb{F}(\phi)} & \mathbb{F}(\mathbb{UPC}/\mathcal{R}^-) & & \\
 \eta_{\mathbb{PC}} \downarrow & & \downarrow A & \searrow \mathbb{F}(\widehat{\mathbb{U}(\mu)}) & \\
 \mathbb{PC} & \xrightarrow{h^-} & \mathbb{P}^- \mathcal{C} & \xrightarrow{\widehat{\mu}} & \mathbb{FUD} \\
 & & & \searrow \eta_{\mathcal{D}} & \downarrow \\
 & & & & \mathcal{D} \\
 & \searrow \mu & & & \\
 & & & &
 \end{array}$$

Suppose that there exists another $\nu : \mathbb{P}^- \mathcal{C} \rightarrow \mathcal{D}$ such that $\nu \circ h^- = \mu$. Proving that $\nu = \widehat{\mu}$ is equivalent to proving that $\nu \circ A = \widehat{\mu} \circ A$ by Proposition 3.3. So one is reduced to checking the equality $\nu \circ A = \eta_{\mathcal{D}} \circ \mathbb{F}(\widehat{\mathbb{U}(\mu)})$. The ω -functor $\mathbb{F}(\phi)$ is clearly surjective on the underlying sets. Therefore proving $\nu \circ A = \eta_{\mathcal{D}} \circ \mathbb{F}(\widehat{\mathbb{U}(\mu)})$ is equivalent to proving $\nu \circ A \circ \mathbb{F}(\phi) = \eta_{\mathcal{D}} \circ \mathbb{F}(\widehat{\mathbb{U}(\mu)}) \circ \mathbb{F}(\phi)$. But one has $\nu \circ A \circ \mathbb{F}(\phi) = \nu \circ h^- \circ \eta_{\mathbb{PC}} = \mu \circ \eta_{\mathbb{PC}} = \eta_{\mathcal{D}} \circ \mathbb{F}(\widehat{\mathbb{U}(\mu)}) \circ \mathbb{F}(\phi)$, which concludes the proof. \blacksquare

By convention, in any of the above ω -categories arising from \mathcal{C} , the n -source (resp. the n -target, the n -dimensional composition law) will be still denoted by s_{n+1} , (resp. t_{n+1} , $*_{n+1}$), like for \mathbb{PC} . The calculation rules in $\mathbb{P}^- \mathcal{C}$ are summarized in the following theorem:

3.5. THEOREM. [Calculation rules in $\mathbb{P}^- \mathcal{C}$] *Let \mathcal{C} be a non-contracting ω -category. Then any element of $\mathbb{P}^- \mathcal{C}$ is a composite of elements of the form $h^-(x)$. Moreover if x and y are two elements of \mathbb{PC} such that $x *_p y$ exists in \mathbb{PC} for some $p \geq 1$, then $h^-(x *_p y) = h^-(x) *_p h^-(y)$. And if x and y are two elements of \mathbb{PC} such that $x *_0 y$ exists in \mathbb{PC} , then $h^-(x *_0 y) = h^-(x)$.*

PROOF. By Proposition 3.3, any element of $\mathbb{P}^- \mathcal{C}$ is a composite of elements of the form $A(x)$ with $x \in \mathbb{F}(\mathbb{UPC}/\mathcal{R}^-)$. Since $\mathbb{F}(\phi)$ is clearly surjective on the underlying sets, any element of $\mathbb{P}^- \mathcal{C}$ is a composite of elements of the form $A \circ \mathbb{F}(\phi)(x) = h^-(\eta_{\mathbb{PC}}(x))$ with $x \in \mathbb{F}(\mathbb{UPC})$. So any element of $\mathbb{P}^- \mathcal{C}$ is a composite of elements of the form $h^-(x)$ with x running over \mathbb{PC} . The last part of the statement of the theorem is a consequence of the fact that h^- is an ω -functor and of the universal property satisfied by $\mathbb{P}^- \mathcal{C}$. \blacksquare

Loosely speaking, the ω -category $\mathbb{P}^- \mathcal{C}$ is the quotient of the free ω -category generated by the equivalence classes of \mathcal{R}^- in \mathbb{UPC} by the calculation rules of \mathcal{C} . The calculation rules in $\mathbb{P}^- \mathcal{C}$ are more explicitly described as follows.

1. If x and y are two morphisms of \mathbb{PC} such that $x \mathcal{R}^- y$, then $\phi(x) = \phi(y)$ and therefore x and y give rise to the same element in $\mathbb{P}^- \mathcal{C}$: in other terms $h^-(x) = h^-(y)$.
2. If x and y are two morphisms of \mathbb{PC} such that $t_p x \mathcal{R}^- s_p y$ for some $p \geq 1$, then $\phi(t_p x) = \phi(s_p y)$ and the corresponding elements can be composed in $\mathbb{P}^- \mathcal{C}$. Therefore $h^-(x) *_p h^-(y)$ exists although $x *_p y$ does not necessarily exist in \mathbb{PC} .

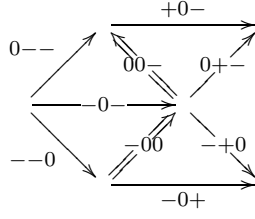


Figure 1: Part of the 2-source of the 3-cube

3. If moreover x and y are two elements of $\mathbb{P}\mathcal{C}$ such that this time $t_p x = s_p y$ for some $p \geq 1$, then $h^-(x) *_p h^-(y)$ is the image of $x *_p y$ by h^- , and therefore $h^-(x *_p y) = h^-(x) *_p h^-(y)$.
4. If x and y are two morphisms of $\mathbb{P}\mathcal{C}$ such that $x *_0 y \in \mathbb{P}\mathcal{C}$, then $h^-(x *_0 y) = h^-(x)$.

3.6. PROPOSITION. *Let \mathcal{C} be a non-contracting ω -category. The 0-source map s_0 of \mathcal{C} induces \mathcal{C}_0 -gradings on $\mathbb{F}\mathbb{U}\mathbb{P}\mathcal{C}$, $\mathbb{F}(\mathbb{U}\mathbb{P}\mathcal{C}/\mathcal{R}^-)$, $\mathbb{P}\mathcal{C}$ and therefore on $\mathbb{P}^-\mathcal{C}$ as well. Let us denote by $G^{\alpha,-}\mathbb{F}\mathbb{U}\mathbb{P}\mathcal{C}$, $G^{\alpha,-}\mathbb{F}(\mathbb{U}\mathbb{P}\mathcal{C}/\mathcal{R}^-)$, $G^{\alpha,-}\mathbb{P}\mathcal{C}$ and $\mathbb{P}^-_{\alpha}\mathcal{C}$ the fiber of s_0 in the respective ω -categories over $\alpha \in \mathcal{C}_0$. Then one has the pushout*

$$\begin{array}{ccc}
 G^{\alpha,-}\mathbb{F}(\mathbb{U}\mathbb{P}\mathcal{C}) & \longrightarrow & G^{\alpha,-}\mathbb{F}(\mathbb{U}\mathbb{P}\mathcal{C}/\mathcal{R}^-) \\
 \downarrow & & \downarrow \\
 G^{\alpha,-}\mathbb{P}\mathcal{C} & \longrightarrow & \mathbb{P}^-_{\alpha}\mathcal{C}
 \end{array}$$

PROOF. This is due to the fact that $s_0(x *_0 y) = s_0 x$ for any $x, y \in \mathbb{P}\mathcal{C}$. ■

As an example, consider the ω -category \mathcal{C} of Figure 1 which is a part of the 2-source side of the 3-cube. The underlying set of the ω -category $\mathbb{P}^-_{R(-\dots)}\mathcal{C}$ is equal to

$$\{h^-(R(-\ 0)), h^-(R(-0-)), h^-(R(0\ -)), h^-(R(-00)), h^-(R(00-)), h^-(R(-00)) *_1 h^-(R(00-))\}$$

Notice that $h^-(R(-00))$ and $h^-(R(00-))$ become composable in $\mathbb{P}^-\mathcal{C}$, although they are not composable in the initial ω -category \mathcal{C} .

Now let us recall the notion of strict globular ω -groupoid :

3.7. DEFINITION. [2] *Let \mathcal{C} be a strict globular ω -category. Then \mathcal{C} is a strict globular ω -groupoid if and only if for any p -morphism A of \mathcal{C} with $p \geq 1$ and any $r \geq 0$, then there exists A' (a priori depending on r) such that $A *_r A' = s_r A = t_r A'$ and $A' *_r A = s_r A' = t_r A$.*

3.8. THEOREM. *Let \mathcal{C} be a non-contracting ω -category. If $\mathbb{P}\mathcal{C}$ is a strict globular ω -groupoid, then $\mathbb{P}^-\mathcal{C}$ is a strict globular ω -groupoid as well.*

PROOF. Any element X of $\mathbb{P}^-\mathcal{C}$ is a composite of elements $h^-(x_i)$ for $i = 1, \dots, n$ by Theorem 3.5. For a given X , let us call the smallest possible n the length of X . Now we check by induction on n the property $P(n)$: “for any $X \in \mathbb{P}^-\mathcal{C}$ of length at most n , for any $r \geq 1$, there exists Y such that $X *_r Y = s_r X = t_r Y$ and $Y *_r X = s_r Y = t_r X$ ”. For $n = 1$, this is an immediate consequence of the fact that $\mathbb{P}\mathcal{C}$ is an ω -groupoid. Now suppose $P(n)$ proved for $n = n_0$ with $n_0 \geq 1$. Let X be an element of $\mathbb{P}^-\mathcal{C}$ of length $n_0 + 1$. Then $X = X_1 *_p X_2$ for some $p \geq 1$ and with X_1 and X_2 of length at most n_0 . Let $r \geq 1$. Let Y_1 (resp. Y_2) be an inverse of X_1 (resp. X_2) for $*_r$. If $r \neq p$, then $(X_1 *_p X_2) *_r (Y_1 *_p Y_2) = s_r X_1 *_p s_r X_2 = s_r (X_1 *_p X_2)$ so $Y_1 *_p Y_2$ is a solution. If $r = p$, then $(X_1 *_p X_2) *_p (Y_2 *_p Y_1) = s_p X_1$, so $Y_2 *_p Y_1$ is now a solution. ■

3.9. DEFINITION. For \mathcal{C} a non-contracting ω -category, the ω -category $\mathbb{P}^-\mathcal{C}$ is called the negative semi-path ω -category of \mathcal{C} .

In the sequel, all non-contracting ω -categories \mathcal{C} will be supposed to have a path ω -category $\mathbb{P}\mathcal{C}$ which is a strict globular ω -groupoid.

4. The semi-path ω -category of the hypercube

Some ω -functors will be constructed in this section using the classical tool of filling of shells.

4.1. DEFINITION. In a simplicial set A , a n -shell is a family $(x_i)_{i=0, \dots, n+1}$ of $(n+2)$ n -simplexes of A such that for any $0 \leq i < j \leq n+1$, $\partial_i x_j = \partial_{j-1} x_i$.

4.2. PROPOSITION. [8] Let \mathcal{C} be a non-contracting ω -category. Consider a n -shell

$$(x_i)_{i=0, \dots, n+1}$$

of the globular simplicial nerve of \mathcal{C} . Then

1. The labeling defined by $(x_i)_{i=0, \dots, n+1}$ yields an ω -functor x (and necessarily exactly one) from $\Delta^{n+1} \setminus \{(01 \dots n+1)\}$ to $\mathbb{P}\mathcal{C}$.
2. Let u be a morphism of \mathcal{C} such that

$$s_n u = x(s_n R((01 \dots n+1)))$$

and

$$t_n u = x(t_n R((01 \dots n+1)))$$

Then there exists one and only one ω -functor still denoted by x from Δ^{n+1} to $\mathbb{P}\mathcal{C}$ such that for any $0 \leq i \leq n+1$, $\partial_i x = x_i$ and $x((01 \dots n+1)) = u$.

If $(\sigma_0 < \dots < \sigma_r)$ is a face of Δ^n , then let

$$\phi_n^-((\sigma_0 < \dots < \sigma_r)) = k_1 \dots k_{n+1}$$

where $k_{\sigma_i+1} = 0$ and the other k_j are equal to $-$. For $n = 2$, the set map ϕ looks as follows :

$$\begin{aligned} \phi_2^- : (012) &\mapsto 000 \\ \phi_2^- : (01) &\mapsto 00 - \\ \phi_2^- : (02) &\mapsto 0 - 0 \\ \phi_2^- : (12) &\mapsto -00 \\ \phi_2^- : (0) &\mapsto 0 - - \\ \phi_2^- : (1) &\mapsto -0 - \\ \phi_2^- : (2) &\mapsto - - 0 \end{aligned}$$

If x is a face of I^{n+1} which belongs to the image of ϕ_n^- , then denote by x^\perp the unique face of Δ^n such that $\phi_n^-(x^\perp) = x$. Notice that for any face y of Δ^n , then $\phi_n^-(y)^\perp = y$.

4.3. PROPOSITION. *Let us denote by Δ_i^n for $i = 0, \dots, n$ and $n \geq 1$ the ω -subcategory of Δ^n obtained by keeping only the strictly increasing sequences $(\sigma_0 < \dots < \sigma_r)$ of $\{0, 1, \dots, n\}$ such that $i \notin \{\sigma_0, \dots, \sigma_r\}$. Then the set map*

$$(\sigma_0 < \dots < \sigma_\ell < \widehat{i} \leq \sigma_{\ell+1} < \dots < \sigma_r) \mapsto (\sigma_0 < \dots < \sigma_\ell < \sigma_{\ell+1} + 1 < \dots < \sigma_r + 1)$$

(the notation $(\sigma_0 < \dots < \sigma_\ell < \widehat{i} \leq \sigma_{\ell+1} < \dots < \sigma_r)$ above means that we are considering $(\sigma_0 < \dots < \sigma_\ell < \sigma_{\ell+1} < \dots < \sigma_r)$ but with the additional information that $i \leq \sigma_{\ell+1}$) from the set of faces of Δ^{n-1} to Δ_i^n induces an isomorphism of ω -categories $\Delta^{n-1} \cong \Delta_i^n$.

PROOF. Both ω -categories Δ^{n-1} and Δ_i^n are freely generated by ω -complexes whose atoms are clearly in bijection. Moreover by Steiner's formulae recalled in Section 2, the algebraic structure of Δ^{n-1} and Δ_i^n is completely characterized by the ∂^- and ∂^+ operators, which are obviously preserved by the mapping. ■

4.4. PROPOSITION. *Let us denote by I_j^{n+1} for $j = 1, \dots, n+1$ and $n \geq 1$ the ω -subcategory of I^{n+1} obtained by keeping only the words $k_1 \dots k_{n+1}$ such that $k_j = -$. Then the set map*

$$\ell_1 \dots \ell_n \mapsto \ell_1 \dots \ell_{j-1} - \ell_j \dots \ell_n$$

from the set of faces of I^n to I_j^{n+1} induces an isomorphism of ω -categories $I^n \cong I_j^{n+1}$.

PROOF. Same proof as for Proposition 4.3. ■

4.5. DEFINITION. *One calls valid expression of I^{n+1} (resp. Δ^n) a composite of faces of I^{n+1} (resp. Δ^n) of strictly positive dimension which makes sense with respect to the calculation rules of I^{n+1} . For example $R(-0) *_0 R(0-)$ is not a valid expression of I^2 , whereas $R(-0) *_0 R(0+)$ is valid (the latter being equal to $s_1 R(00)$).*

Let \underline{A} be a valid expression of I^{n+1} . Suppose that $s_0 \underline{A} = R(-_{n+1})$. Let us define by induction on the number of faces appearing in \underline{A} an expression \underline{A}^\perp using the composition laws and variables in Δ^n (we do not know yet whether the latter expression is valid or not in Δ^n):

- if \underline{A} is equal to one face x of I^{n+1} , then this face is necessarily in the image of ϕ_n^- and one can set $\underline{A}^\perp := x^\perp$.
- if $\underline{A} = \underline{B} *_0 \underline{C}$, then set $\underline{A}^\perp := \underline{B}^\perp$.
- if $\underline{A} = \underline{B} *_r \underline{C}$ for some $r \geq 1$, then set $\underline{A}^\perp = \underline{B}^\perp *__{r-1} \underline{C}^\perp$.

One sees immediately by induction that whenever a face x of I^{n+1} such that $s_0 x = R(-_{n+1})$ appears in \underline{A} , then x^\perp appears in \underline{A}^\perp because in a situation like $\underline{A} = \underline{B} *_0 \underline{C}$, there cannot be any such face in the expression \underline{C} (since \underline{A} is valid!).

If X is a set of faces of I^{n+1} , let $X^\perp = R(\{y^\perp, y \in X \cap \text{Im}(\phi_n^-)\})$. In the case where X does not contain any element of $\text{Im}(\phi_n^-)$, then $X^\perp = \emptyset$. If \underline{A} is a valid expression of I^{n+1} , then $\underline{A} = R(\{y \text{ variable appearing in } \underline{A}\})$ because I^{n+1} is an ω -complex. If in addition \underline{A}^\perp is a valid expression of Δ^n such that $s_0 \underline{A} = R(-_{n+1})$, then the two meanings of \underline{A}^\perp coincide. If X and Y are two sets of faces of I^{n+1} , then it is obvious that $X^\perp \cup Y^\perp = (X \cup Y)^\perp$, $X^\perp \cap Y^\perp = (X \cap Y)^\perp$ and $X^\perp \setminus Y^\perp = (X \setminus Y)^\perp$.

4.6. PROPOSITION. *Let a be a face of I^{n+1} . Then*

$$(\partial^- R(a))^\perp = \partial^- R(a^\perp)$$

and

$$(\partial^+ R(a))^\perp = \partial^+ R(a^\perp).$$

PROOF. If a is a 0-dimensional face of I^{n+1} , then both sides of the equalities are equal to the empty set. Let us then suppose that a is at least of dimension 1. If a does not belong to the image of ϕ_n^- , then both sides are again empty. So suppose that $a \in \text{Im}(\phi_n^-)$. Then $a = k_1 \dots k_{n+1}$ where $\{k_1, \dots, k_{n+1}\} \subset \{-, 0\}$. Let $\{i_1 < \dots < i_s\} = \{i \in [1, n+1], k_i = 0\}$. Then $(\partial^- R(a))^\perp = R(\{k_1 \dots [(-)]_{i_{2k+1}} \dots k_{n+1}, 1 \leq 2k+1 \leq s\})^\perp$ by definition of ∂^- in I^{n+1} and by definition of $(-)^{\perp}$ where the notation $k_1 \dots [a]_i \dots k_{n+1}$ means that k_i is replaced by α . On the other hand, $\partial^- R(a^\perp) = \partial^- R((i_1 - 1 < \dots < i_s - 1)) = (\partial^- R(a))^\perp$. ■

4.7. PROPOSITION. For any valid expression \underline{A} of I^{n+1} such that $s_0\underline{A} = R(-_{n+1})$, then \underline{A}^\perp is a valid expression of Δ^n .

PROOF. We are going to prove by induction on r the statement $P(r)$: “for any valid expression \underline{A} of I^{n+1} with at most r variables such that $s_0\underline{A} = R(-_{n+1})$, the expression \underline{A}^\perp is valid in Δ^n .” If $r = 1$, then $\underline{A} = R(\{x\})$ for some face x of $I^{n+1} \cap \text{Im}(\phi_n^-)$. So $\underline{A}^\perp = R(\{x^\perp\})$ which is necessarily a valid expression in Δ^n . So $P(1)$ holds. Let us suppose that $P(r)$ is proved for $r \leq r_0$ and let us consider a valid expression \underline{A} of I^{n+1} with $r_0 + 1$ variables. Then $\underline{A} = \underline{B} *_m \underline{C}$ with \underline{B} and \underline{C} being valid expressions having less than r_0 variables. By the induction hypothesis, both \underline{B}^\perp and \underline{C}^\perp are valid expressions of Δ^n . If $m = 0$, then by construction $\underline{A}^\perp = \underline{B}^\perp$ and there is nothing to prove. Otherwise by construction again, $\underline{A}^\perp = \underline{B}^\perp *_m \underline{C}^\perp$. Then by Steiner’s formulae and by Proposition 4.6,

$$\begin{aligned}
t_{m-1}(\underline{B}^\perp) &= \left(\bigcup_{a \in \underline{B}^\perp, \dim(a) \leq m-1} R(a) \right) \setminus \left(\bigcup_{b \in \underline{B}^\perp, \dim(b)=m} (R(b) \setminus \partial^- R(b)) \right) \\
&= \left(\bigcup_{a \in \underline{B}^\perp, \dim(a) \leq m-1} R(\phi_n^-(a))^\perp \right) \setminus \left(\bigcup_{b \in \underline{B}^\perp, \dim(b)=m} (R(\phi_n^-(b))^\perp \setminus \partial^- R(\phi_n^-(b))^\perp) \right) \\
&= \left(\bigcup_{a \in \underline{B} \cap \text{Im}(\phi_n^-), \dim(a) \leq m} R(a)^\perp \right) \setminus \left(\bigcup_{b \in \underline{B} \cap \text{Im}(\phi_n^-), \dim(b)=m+1} (R(b)^\perp \setminus \partial^- R(b)^\perp) \right) \\
&= \left(\bigcup_{a \in \underline{B}, \dim(a) \leq m} R(a)^\perp \right) \setminus \left(\bigcup_{b \in \underline{B}, \dim(b)=m+1} (R(b)^\perp \setminus \partial^- R(b)^\perp) \right) \\
&= (t_m \underline{B})^\perp \\
&= (s_m \underline{C})^\perp \\
&= s_{m-1}(\underline{C}^\perp)
\end{aligned}$$

Consequently, $t_{m-1}\underline{B}^\perp = s_{m-1}\underline{C}^\perp$, which proves that \underline{A}^\perp is a valid expression of Δ^n . ■

4.8. COROLLARY. Let \underline{A} and \underline{B} be two valid expressions of I^{n+1} such that $s_0\underline{A} = s_0\underline{B} = R(-_{n+1})$ and such that $\underline{A} *_m \underline{B}$ exists for some $m \geq 1$. Then $\underline{A}^\perp *_m \underline{B}^\perp$ is a valid expression of Δ^n and $(\underline{A} *_m \underline{B})^\perp = \underline{A}^\perp *_m \underline{B}^\perp$.

4.9. THEOREM. For $n \geq 0$, the isomorphism of ω -categories $\mathbb{P}_{R(-_{n+1})}^-(I^{n+1}) \cong \Delta^n$ holds.

PROOF. The proof is threefold: 1) one has to prove that ϕ_n^- induces an ω -functor $\widehat{\phi}_n^-$ from Δ^n to $\mathbb{P}^-(I^{n+1})$; 2) afterwards we check that the underlying set map of $\widehat{\phi}_n^-$ is injective; 3) finally we prove that the image of $\widehat{\phi}_n^-$ is the underlying set of $\mathbb{P}_{R(-_{n+1})}^-(I^{n+1})$ as a whole.

Step 1. We are going to prove $P(n)$: “the set map ϕ_n^- from the set of faces of Δ^n to $\mathbb{P}^-(I^{n+1})$ induces an ω -functor from Δ^n to $\mathbb{P}^-(I^{n+1})$ ” by induction on $n \geq 0$ and using Proposition 4.2. The ω -category $\mathbb{P}^-(I^1)$ is the ω -category 2_0 generated by one 0-morphism. Therefore $P(0)$ holds. One has the commutative diagrams

$$\begin{array}{ccc} \{\text{Faces of } \Delta_i^n\} & \xrightarrow{\phi_n^- \upharpoonright_{\Delta_i^n}} & I_{i+1}^{n+1} \subset I^{n+1} \\ \cong \uparrow & & \cong \uparrow \\ \{\text{Faces of } \Delta^{n-1}\} & \xrightarrow{\phi_{n-1}^-} & I^n \end{array}$$

for any $i = 0, \dots, n$. Therefore by Proposition 4.2 and the induction hypothesis, one sees that ϕ_n^- induces an ω -functor $\widehat{\phi}_n^-$ from $\Delta^n \setminus \{(01 \dots n)\}$ to $\mathbb{P}^-(I^{n+1})$.

It remains to prove that $s_n(R(0_{n+1}))^- = \widehat{\phi}_n^- s_{n-1}(0 < \dots < n)$ and that $t_n(R(0_{n+1}))^- = \widehat{\phi}_n^- t_{n-1}(0 < \dots < n)$ to complete the proof. Let us check the first equality. By Proposition 4.7, $(s_n R(0_{n+1}))^\perp$ is a valid expression of Δ^n in which the $(n-1)$ -dimensional faces $(0 < \dots < \widehat{2i} < \dots < n)$ for $0 \leq 2i \leq n$ appear. In the ω -complex Δ^n , that means that $(s_n R(0_{n+1}))^\perp$ contains not only the faces $(0 < \dots < \widehat{2i} < \dots < n)$, but also all their subfaces. Since $(0 < 1 < \dots < n) \notin (s_n R(0_{n+1}))^\perp$, then necessarily $(s_n R(0_{n+1}))^\perp = s_{n-1} R(0 < 1 < \dots < n)$. Because of the calculation rules in $\mathbb{P}^-(I^{n+1})$ described in Theorem 3.5, $\phi_n^- \left((s_n R(0_{n+1}))^\perp \right)$ is necessarily equal to $s_n(R(0_{n+1}))^-$. And the desired equality is then proved.

Step 2. The previous paragraph shows that there is a well defined ω -functor ψ_n from $\mathbb{P}_{R(-n+1)}^-(I^{n+1})$ to Δ^n characterized by

- if $x \in \text{Im}(\phi_n^-)$ (in particular x is a face of I^{n+1}), then $\psi_n(R(x))^- = R(x^\perp)$
- for $x, y \in \mathbb{P}_{R(-n+1)}^-(I^{n+1})$, if $x *_r y$ exists for some $r \geq 1$, then $\psi_n(x *_r y) = \psi_n(x) *_r \psi_n(y)$.

Moreover $\psi_n \circ \widehat{\phi}_n^- = \text{Id}$ and therefore $\widehat{\phi}_n^-$ is injective.

Step 3. This is an immediate consequence of Theorem 3.5 and of the construction of $\widehat{\phi}_n^-$. ■

4.10. COROLLARY. For $n \geq 0$,

$$\mathbb{P}^-(I^{n+1}) = \bigoplus_{1 \leq p \leq n+1} (\Delta^{p-1})^{\oplus C_{n+1}^p}$$

where \oplus is the direct sum in the category of ω -categories (which corresponds for the underlying sets to the disjoint union).

PROOF. By Proposition 3.6, the ω -category $\mathbb{P}^-(I^{n+1})$ is graded by the vertices of I^{n+1} (however $G^{+n+1, -} \mathbb{P}^-(I^{n+1}) = \emptyset$). So this is a consequence of Theorem 4.9. ■

The isomorphism of Theorem 4.9 is actually more than only an isomorphism of ω -categories. Indeed, let $\underline{\Delta}$ be the unique small category such that a presheaf over $\underline{\Delta}$ is exactly a simplicial set [11, 18]. The category $\underline{\Delta}$ has for objects the finite ordered sets $[n] = \{0 < 1 < \dots < n\}$ for all integers $n \geq 0$ and has for morphisms the nondecreasing monotone functions. One is used to distinguish in this category the morphisms $\epsilon_i : [n-1] \rightarrow [n]$ and $\eta_i : [n+1] \rightarrow [n]$ defined as follows for each n and $i = 0, \dots, n$:

$$\epsilon_i(j) = \begin{cases} j & \text{if } j < i \\ j+1 & \text{if } j \geq i \end{cases}, \quad \eta_i(j) = \begin{cases} j & \text{if } j \leq i \\ j-1 & \text{if } j > i \end{cases}$$

It is well-known ([16]) that the map $[n] \mapsto \Delta^n$ induces a functor Δ^* from $\underline{\Delta}$ to ωCat by setting $\epsilon_i \mapsto \Delta^{\epsilon_i}$ and $\eta_i \mapsto \Delta^{\eta_i}$ where

- for any face $(\sigma_0 < \dots < \sigma_s)$ of Δ^{n-1} , $\Delta^{\epsilon_i}(\sigma_0 < \dots < \sigma_s)$ is the only face of Δ^n having $\epsilon_i\{\sigma_0, \dots, \sigma_s\}$ as set of vertices;
- for any face $(\sigma_0 < \dots < \sigma_r)$ of Δ^{n+1} , $\Delta^{\eta_i}(\sigma_0 < \dots < \sigma_r)$ is the only face of Δ^n having $\eta_i\{\sigma_0, \dots, \sigma_r\}$ as set of vertices.

For a face $\sigma = \{\sigma_1, \dots, \sigma_s\}$ of Δ^n with $\sigma_1 < \dots < \sigma_s$, let $\phi_n^-(\sigma) := \phi_n^-(\sigma_1 < \dots < \sigma_s)$. Then one has

4.11. PROPOSITION. *Let $\delta_i^- : I^n \rightarrow I^{n+1}$ be the ω -functor corresponding by Yoneda's lemma to the face map $\partial_i^- : \omega\text{Cat}(I^{n+1}, -) \rightarrow \omega\text{Cat}(I^n, -)$ and let $\gamma_i^- : I^{n+2} \rightarrow I^{n+1}$ be the ω -functor corresponding by Yoneda's lemma to the degeneracy maps $\Gamma_i^- : \omega\text{Cat}(I^{n+1}, -) \rightarrow \omega\text{Cat}(I^{n+2}, -)$ for $1 \leq i \leq n+1$. Then the following diagrams are commutative:*

$$\begin{array}{ccc} \Delta^{n-1} & \xrightarrow{\Delta^{\epsilon_i}} & \Delta^n \\ \phi_{n-1}^- \downarrow & & \phi_n^- \downarrow \\ I^n & \xrightarrow{\delta_{i+1}^-} & I^{n+1} \end{array} \quad \begin{array}{ccc} \Delta^{n+1} & \xrightarrow{\Delta^{\eta_i}} & \Delta^n \\ \phi_{n+1}^- \downarrow & & \phi_n^- \downarrow \\ I^{n+2} & \xrightarrow{\gamma_{i+1}^-} & I^{n+1} \end{array}$$

PROOF. This is a remake of the proof that the natural morphism h^- from the globular to the branching semi-cubical nerve preserves the simplicial structure of both sides (see [8]). ■

Remember that the geometric explanation of Proposition 4.11 is again that close to a corner, the intersection of an n -cube by an hyperplane is exactly the $(n-1)$ -simplex.

4.12. COROLLARY. *For $0 \leq i \leq n$, the mapping*

$$k_1 \dots k_{n+1} \mapsto \delta_{i+1}^-(k_1 \dots k_{n+1}) = k_1 \dots k_i [-]_{i+1} k_{i+1} \dots k_{n+1}$$

induces an ω -functor from $\mathbb{P}_{R(-n)}^-(I^n)$ to $\mathbb{P}_{R(-n+1)}^-(I^{n+1})$. And the mapping

$$k_1 \dots k_{n+2} \mapsto \gamma_{i+1}^-(k_1 \dots k_{n+2}) = k_1 \dots k_i \max(k_{i+1}, k_{i+2}) k_{i+3} \dots k_{n+2}$$

induces an ω -functor from $\mathbb{P}_{R(-n+2)}^-(I^{n+2})$ to $\mathbb{P}_{R(-n+1)}^-(I^{n+1})$. This way, the mapping $[n] \mapsto \mathbb{P}_{R(-n+1)}^-(I^{n+1})$ induces a functor from $\underline{\Delta}$ to ωCat which is isomorphic to the functor Δ^* . In other terms, the family of maps $(\phi_n)_{n \geq 0}$ induces an isomorphism of functors from $\underline{\Delta}$ to ωCat

$$\Delta^* \cong \mathbb{P}_{R(-**+1)}^-(I^{**+1}).$$

5. Simplicial cut

The branching semi-globular nerve will not match the notion of cut as presented in [8]. A slight modification of that definition is therefore necessary. This is precisely the purpose of this section. The reader does not need to know the previous definition of a cut.

5.1. DEFINITION. *A cut is a triple $(\mathcal{F}, \underline{P}, \text{ev})$ where \underline{P} is a functor from ωCat_1 to ωCat , \mathcal{F} a functor from ωCat_1 to $\text{Sets}_+^{\Delta_{\text{op}}}$, and $\text{ev} = (\text{ev}_n)_{n \geq 0}$ a family of natural transformations $\text{ev}_n : \mathcal{F}_n \rightarrow \text{tr}^n \underline{P}$ where \mathcal{F}_n is the set of n -simplexes of \mathcal{F} . A morphism of cuts from $(\mathcal{F}, \underline{P}, \text{ev})$ to $(\mathcal{G}, \underline{Q}, \text{ev})$ is a pair (ϕ, ψ) such that ϕ is a natural transformation of functors from \mathcal{F} to \mathcal{G} and ψ a natural transformation of functors from \underline{P} to \underline{Q} which makes the following diagram commutative for any $n \geq 0$:*

$$\begin{array}{ccc} \mathcal{F}_n & \xrightarrow{\text{ev}_n} & \text{tr}^n \underline{P} \\ \phi_n \downarrow & & \psi_n \downarrow \\ \mathcal{G}_n & \xrightarrow{\text{ev}_n} & \text{tr}^n \underline{Q} \end{array}$$

If (\mathcal{F}, ev) is a cut in the sense of [8], then $(\mathcal{F}, \underline{P}, \text{ev})$ is a cut in the sense of the above definition. One can omit ev and simply denote the cut $(\mathcal{F}, \underline{P}, \text{ev})$ by $(\mathcal{F}, \underline{P})$.

For such a cut, one can define the associated homology theory as in [8]. If $(\mathcal{F}, \underline{P})$ is a cut, let $C_{n+1}^{(\mathcal{F}, \underline{P})}(\mathcal{C}) := C_n(\mathcal{F}(\mathcal{C}))$ and let $H_{n+1}^{(\mathcal{F}, \underline{P})}$ be the corresponding homology theory for $n \geq -1$.

To illustrate the definition, let us recall now the definition of the branching semi-cubical cut [6, 7]. Let \mathcal{C} be a non-contracting ω -category. We set

$$\omega\text{Cat}(I^{n+1}, \mathcal{C})^- := \{x \in \omega\text{Cat}(I^{n+1}, \mathcal{C}), d_0^-(u) = -_{n+1} \text{ and } \dim(u) = 1 \implies \dim(x(u)) = 1\}$$

where $-_{n+1}$ is the initial state of I^{n+1} . For all (i, n) such that $0 \leq i \leq n$, the face maps ∂_i from $\omega\text{Cat}(I^{n+1}, \mathcal{C})^-$ to $\omega\text{Cat}(I^n, \mathcal{C})^-$ are the arrows ∂_{i+1}^- defined by

$$\partial_{i+1}^-(x)(k_1 \dots k_{n+1}) = x(k_1 \dots [-]_{i+1} \dots k_{n+1})$$

and the degeneracy maps ϵ_i from $\omega\text{Cat}(I^n, \mathcal{C})^-$ to $\omega\text{Cat}(I^{n+1}, \mathcal{C})^-$ are the arrows Γ_{i+1}^- defined by setting

$$\Gamma_i^-(x)(k_1 \dots k_n) := x(k_1 \dots \max(k_i, k_{i+1}) \dots k_n)$$

with the order $- < 0 < +$.

Let \mathcal{C} be a non-contracting ω -category. The \mathbb{N} -graded set $\mathcal{N}_*^-(\mathcal{C}) = \omega\text{Cat}(I^{*+1}, \mathcal{C})^-$ together with the convention $\mathcal{N}_{-1}^-(\mathcal{C}) = \mathcal{C}_0$, endowed with the maps ∂_i and ϵ_i above defined with moreover $\partial_{-1} = s_0$ and with $\text{ev}(x) = x(0_n)$ for $x \in \omega\text{Cat}(I^n, \mathcal{C})$ is an augmented simplicial set and $(\mathcal{N}^-, \mathbb{P})$ becomes a simplicial cut. It is called the *branching simplicial cut* associated to \mathcal{C} . Set $H_{n+1}^-(\mathcal{C}) := H_n(\mathcal{N}^-(\mathcal{C}))$ for $n \geq -1$. This homology theory is called the *branching semi-cubical homology*.

6. Thin elements in simplicial cuts and reduced homology

Let $(\mathcal{F}, \underline{P})$ be a simplicial cut. Let $M_n^{\mathcal{F}} : \omega\text{Cat}_1 \rightarrow \text{Ab}$ be the functor defined as follows : the group $M_n^{(\mathcal{F}, \underline{P})}(\mathcal{C})$ is the subgroup generated by the elements $x \in \mathcal{F}_{n-1}(\mathcal{C})$ such that $\text{ev}(x) \in \text{tr}^{n-2}\underline{P}\mathcal{C}$ for $n \geq 2$ and with the convention $M_0^{(\mathcal{F}, \underline{P})}(\mathcal{C}) = M_1^{(\mathcal{F}, \underline{P})}(\mathcal{C}) = 0$ and the definition of $M_n^{\mathcal{F}}$ is obvious on non-contracting ω -functors.

6.1. DEFINITION. *The elements of $M_*^{(\mathcal{F}, \underline{P})}(\mathcal{C})$ are called thin.*

To illustrate the definition above, let us consider again the case of the branching semi-cubical cut. A thin element of $\mathcal{N}_{n-1}^-(\mathcal{C})$ is nothing else but an ω -functor $f \in \omega\text{Cat}(I^n, \mathcal{C})^-$ such that $f(0_n) \in \text{tr}^{n-2}\underline{P}\mathcal{C} = \text{tr}^{n-1}\mathcal{C}$, that is $f(0_n)$ is of dimension at most $n-1$. So f corresponds intuitively to a n -cube without volume.

Let us come back now to the general situation. Let $\text{CR}_n^{(\mathcal{F}, \underline{P})} : \omega\text{Cat}_1 \rightarrow \text{Comp}(\text{Ab})$ be the functor defined by

$$\text{CR}_n^{(\mathcal{F}, \underline{P})} := C_n^{(\mathcal{F}, \underline{P})} / (M_n^{(\mathcal{F}, \underline{P})} + \partial M_{n+1}^{(\mathcal{F}, \underline{P})})$$

where $\text{Comp}(\text{Ab})$ is the category of chain complexes of abelian groups and endowed with the differential map ∂ .

6.2. DEFINITION. *This chain complex is called the reduced complex associated to the cut $(\mathcal{F}, \underline{P})$ and the corresponding homology is denoted by $\text{HR}_*^{(\mathcal{F}, \underline{P})}$ and is called the reduced homology associated to $(\mathcal{F}, \underline{P})$.*

A morphism of cuts from $(\mathcal{F}, \underline{P})$ to $(\mathcal{G}, \underline{Q})$ yields natural morphisms from $H_*^{(\mathcal{F}, \underline{P})}$ to $H_*^{(\mathcal{G}, \underline{Q})}$ and from $\text{HR}_*^{(\mathcal{F}, \underline{P})}$ to $\text{HR}_*^{(\mathcal{G}, \underline{Q})}$. There is also a canonical natural transformation $R^{(\mathcal{F}, \underline{P})}$ from $H_*^{(\mathcal{F}, \underline{P})}$ to $\text{HR}_*^{(\mathcal{F}, \underline{P})}$, functorial with respect to $(\mathcal{F}, \underline{P})$, that makes the following diagram commutative :

$$\begin{array}{ccc} H_*^{(\mathcal{F}, \underline{P})} & \xrightarrow{R^{(\mathcal{F}, \underline{P})}} & \text{HR}_*^{(\mathcal{F}, \underline{P})} \\ \downarrow & & \downarrow \\ H_*^{(\mathcal{G}, \underline{Q})} & \xrightarrow{R^{(\mathcal{G}, \underline{Q})}} & \text{HR}_*^{(\mathcal{G}, \underline{Q})} \end{array}$$

6.3. NOTATION. *The reduced branching semi-cubical complex is denoted by CR^- and the reduced branching semi-cubical homology theory is denoted by HR^- .*

7. Regular cut

The next definition presents the notion of *regular cut*. It makes the construction of folding operators possible.

7.1. DEFINITION. *A cut $(\mathcal{F}, \underline{P})$ is regular if and only if it satisfies the following properties:*

1. *for any ω -category \mathcal{C} , the set $\mathcal{F}_{-1}(\mathcal{C})$ only depends on $\text{tr}^0 \mathcal{C} = \mathcal{C}_0$: i.e. for any ω -categories \mathcal{C} and \mathcal{D} , $\mathcal{C}_0 = \mathcal{D}_0$ implies $\mathcal{F}_{-1}(\mathcal{C}) = \mathcal{F}_{-1}(\mathcal{D})$.*
2. $\mathcal{F}_0 := \text{tr}^0 \underline{P}$.
3. $\text{ev} \circ \epsilon_i = \text{ev}$.
4. *for any natural transformation of functors μ from \mathcal{F}_{n-1} to \mathcal{F}_n with $n \geq 1$, and for any natural map \square from $\text{tr}^{n-1} \underline{P}$ to \mathcal{F}_{n-1} such that $\text{ev} \circ \square = \text{Id}_{\text{tr}^{n-1} \underline{P}}$, there exists one and only one natural transformation $\mu \cdot \square$ from $\text{tr}^n \underline{P}$ to \mathcal{F}_n such that the following diagram commutes*

$$\begin{array}{ccccc}
 & & \text{Id}_{\text{tr}^n \underline{P}} & & \\
 & & \curvearrowright & & \\
 \text{tr}^n \underline{P} & \xrightarrow{\mu \cdot \square} & \mathcal{F}_n & \xrightarrow{\text{ev}_n} & \text{tr}^n \underline{P} \\
 \uparrow i_n & & \uparrow \mu & & \uparrow i_n \\
 \text{tr}^{n-1} \underline{P} & \xrightarrow{\square} & \mathcal{F}_{n-1} & \xrightarrow{\text{ev}_{n-1}} & \text{tr}^{n-1} \underline{P} \\
 & & \text{Id}_{\text{tr}^{n-1} \underline{P}} & & \\
 & & \curvearrowleft & &
 \end{array}$$

where i_n is the canonical inclusion functor from $\text{tr}^{n-1} \underline{P}$ to $\text{tr}^n \underline{P}$.

5. *let $\square_1^{(\mathcal{F}, \underline{P})} := \text{Id}_{\mathcal{F}_0}$ and $\square_n^{(\mathcal{F}, \underline{P})} := \epsilon_{n-2} \dots \epsilon_0 \cdot \square_1^{(\mathcal{F}, \underline{P})}$ be natural transformations from $\text{tr}^{n-1} \underline{P}$ to \mathcal{F}_{n-1} for $n \geq 2$; then the natural transformations $\partial_i \square_n^{(\mathcal{F}, \underline{P})}$ for $0 \leq i \leq n-1$ from $\text{tr}^{n-1} \underline{P}$ to \mathcal{F}_{n-2} satisfy the following properties*

$$(a) \left\{ \text{ev} \partial_{n-2} \square_n^{(\mathcal{F}, \underline{P})}, \text{ev} \partial_{n-1} \square_n^{(\mathcal{F}, \underline{P})} \right\} = \{s_{n-1}, t_{n-1}\}.$$

(b) *if for some ω -category \mathcal{C} and some $u \in \mathcal{C}_n$, $\text{ev} \partial_i \square_n^{(\mathcal{F}, \underline{P})}(u) = d_p^\alpha u$ for some $p \leq n$ and for some $\alpha \in \{-, +\}$, then $\partial_i \square_n^{(\mathcal{F}, \underline{P})} = \partial_i \square_n^{(\mathcal{F}, \underline{P})} d_p^\alpha$.*

6. *let $\Phi_n^{(\mathcal{F}, \underline{P})} := \square_n^{(\mathcal{F}, \underline{P})} \circ \text{ev}$ be a natural transformation from \mathcal{F}_{n-1} to itself; then $\Phi_n^{(\mathcal{F}, \underline{P})}$ induces the identity natural transformation on $\text{CR}_n^{(\mathcal{F}, \underline{P})}$.*

7. if x, y and z are three elements of $\mathcal{F}_n(\mathcal{C})$, and if $\text{ev}(x) *_p \text{ev}(y) = \text{ev}(z)$ for some $1 \leq p \leq n$, then $x + y = z$ in $\text{CR}_{n+1}^{(\mathcal{F}, \underline{P})}(\mathcal{C})$ and in a functorial way.

If $(\mathcal{F}, \underline{P})$ is a regular cut, then the natural transformation $\Phi_n^{(\mathcal{F}, \underline{P})}$ is called the n -dimensional folding operator of the cut $(\mathcal{F}, \underline{P})$. By convention, one sets $\square_0^{(\mathcal{F}, \underline{P})} = \text{Id}_{\mathcal{F}_{-1}}$ and $\Phi_0^{(\mathcal{F}, \underline{P})} = \text{Id}_{\mathcal{F}_{-1}}$. There are no ambiguities to set $\Phi^{(\mathcal{F}, \underline{P})}(x) := \Phi_{n+1}^{(\mathcal{F}, \underline{P})}(x)$ for $x \in \mathcal{F}_n(\mathcal{C})$ for some ω -category \mathcal{C} . So $\Phi^{(\mathcal{F}, \underline{P})}$ defines a natural transformation, and even a morphism of cuts, from $(\mathcal{F}, \underline{P})$ to itself. However beware of the fact that there is really an ambiguity in the notation $\square^{(\mathcal{F}, \underline{P})}$: so the latter will not be used.

Now here are some trivial remarks about regular cuts:

- Let f be a natural set map from $\text{tr}^0 \underline{P}\mathcal{C} = \mathcal{C}_1$ to itself. Let \mathcal{C}_1 be the ω -category generated by one 1-morphism A . Then necessarily $f(A) = A$ and therefore $f = \text{Id}$. So the above axioms imply that $\text{ev}_0 = \text{Id}$.
- The map $\Phi_n^{(\mathcal{F}, \underline{P})}$ induces the identity natural transformation on $\text{HR}_n^{(\mathcal{F}, \underline{P})}$.
- For any $n \geq 1$, there exists non-thin elements x in $\mathcal{F}_{n-1}(\mathcal{C})$ as soon as $\mathcal{C}_n \neq \emptyset$. Indeed, if $u \in \mathcal{C}_n$, $\text{ev} \square_n^{(\mathcal{F}, \underline{P})}(u) = u$, therefore $\square_n^{(\mathcal{F}, \underline{P})}(u)$ is a non-thin element of $\mathcal{F}_{n-1}(\mathcal{C})$.

We end this section by some general facts about regular cuts.

7.2. PROPOSITION. Let f be a morphism of cuts from $(\mathcal{F}, \underline{P})$ to $(\mathcal{G}, \underline{Q})$. Suppose that $(\mathcal{F}, \underline{P})$ and $(\mathcal{G}, \underline{Q})$ are regular. Then the equality $\Phi^{(\mathcal{G}, \underline{Q})} \circ f = f \circ \Phi^{(\mathcal{F}, \underline{P})}$ holds as natural transformation from $(\mathcal{F}, \underline{P})$ to $(\mathcal{G}, \underline{Q})$. In other terms, the following diagram is commutative:

$$\begin{array}{ccc} (\mathcal{F}, \underline{P}) & \xrightarrow{f} & (\mathcal{G}, \underline{Q}) \\ \Phi^{(\mathcal{F}, \underline{P})} \downarrow & & \downarrow \Phi^{(\mathcal{G}, \underline{Q})} \\ (\mathcal{F}, \underline{P}) & \xrightarrow{f} & (\mathcal{G}, \underline{Q}) \end{array}$$

PROOF. See [8]. ■

7.3. PROPOSITION. If u is a $(n+1)$ -morphism of \mathcal{C} with $n \geq 1$, then $\square_{n+1}^{(\mathcal{F}, \underline{P})}u$ is an homotopy within the simplicial set $\mathcal{F}(\mathcal{C})$ between $\square_n^{(\mathcal{F}, \underline{P})}s_n u$ and $\square_n^{(\mathcal{F}, \underline{P})}t_n u$.

PROOF. See [8]. ■

7.4. COROLLARY. *If $x \in \text{CR}_{n+1}^{(\mathcal{F}, \mathcal{P})}(\mathcal{C})$, then $\partial x = \partial \square_{n+1}^{(\mathcal{F}, \mathcal{P})} x = \square_n^{(\mathcal{F}, \mathcal{P})} s_n x - \square_n^{(\mathcal{F}, \mathcal{P})} t_n x$ in $\text{CR}_n^{(\mathcal{F}, \mathcal{P})}(\mathcal{C})$. In other terms, the differential map from $\text{CR}_{n+1}^{(\mathcal{F}, \mathcal{P})}(\mathcal{C})$ to $\text{CR}_n^{(\mathcal{F}, \mathcal{P})}(\mathcal{C})$ with $n \geq 1$ is induced by the map $s_n - t_n$.*

Now let us come back to the particular example of the branching semi-cubical cut.

7.5. THEOREM. [7] *The branching semi-cubical cut is regular.*

7.6. NOTATION. *The branching semi-cubical folding operators are denoted by Φ^- and \square_n^- .*

7.7. DEFINITION. [7] *Set*

- $\text{CF}_0^-(\mathcal{C}) := \mathbb{Z}\mathcal{C}_0$
- $\text{CF}_1^-(\mathcal{C}) := \mathbb{Z}\mathcal{C}_1$
- $\text{CF}_n^-(\mathcal{C}) = \mathbb{Z}\mathcal{C}_n / \{x *_0 y = x, x *_1 y = x + y, \dots, x *_n y = x + y \text{ mod } \mathbb{Z}\text{tr}^{n-1}\mathcal{C}\}$ for $n \geq 2$

with the differential map $s_{n-1} - t_{n-1}$ from $\text{CF}_n^-(\mathcal{C})$ to $\text{CF}_{n-1}^-(\mathcal{C})$ for $n \geq 2$ and s_0 from $\text{CF}_1^-(\mathcal{C})$ to $\text{CF}_0^-(\mathcal{C})$. This chain complex is called the formal negative corner complex. The associated homology is denoted by $\text{HF}^-(\mathcal{C})$ and is called the formal negative corner homology of \mathcal{C} . The map CF_^- (resp. HF_*^-) induces a functor from ωCat_1 to the category of chain complexes of groups $\text{Comp}(\text{Ab})$ (resp. to the category of abelian groups Ab).*

Since the branching semi-cubical cut is regular, then $\square_n^-(x *_p y) = \square_n^-(x) + \square_n^-(y)$ in $\text{CR}_n^-(\mathcal{C})$ for any non-contracting ω -category \mathcal{C} , for any $p \geq 1$ and any $x, y \in \mathcal{C}_n$ as soon as $x *_p y$ exists. Moreover we have with the same notation $\square_n^-(x *_0 y) = \square_n^-(x)$ as soon as $x *_0 y$ exists [7]. So the folding operators \square_n^- induce a natural morphism of chain complexes from CF^- to CR^- .

8. The branching semi-globular nerve

Using the functor Δ^* from $\underline{\Delta}$ to ωCat , one obtains the well-known simplicial nerve of ω -category $\mathcal{N}_*(\mathcal{C}) := \omega\text{Cat}(\Delta^*, \mathcal{C})$ introduced for the first time in [16]. Now we have the necessary tools in hand to define the branching semi-globular cut of a non-contracting ω -category.

8.1. DEFINITION. *Let \mathcal{C} be a non-contracting ω -category. Then set*

$$\mathcal{N}_n^{\text{gl}^-}(\mathcal{C}) = \omega\text{Cat}(\Delta^n, \mathbb{P}^-\mathcal{C})$$

and $\mathcal{N}_{-1}^{\text{gl}^-}(\mathcal{C}) = \mathcal{C}_0$ with $\partial_{-1}(x) = s_0 x$. Then $\mathcal{N}^{\text{gl}^-}$ induces a functor from ωCat_1 to $\text{Sets}_+^{\Delta^{\text{op}}}$. The triple $(\mathcal{N}^{\text{gl}^-}, \mathbb{P}^-, \text{ev})$ with $\text{ev}(x) = x(0 < 1 < \dots < n)$ is called the branching semi-globular cut.

8.2. PROPOSITION. *If $\mathbb{P}\mathcal{C}$ is a strict globular ω -groupoid, then the branching semi-globular cut of \mathcal{C} is Kan.*

PROOF. This is an immediate corollary of Theorem 3.8. ■

8.3. THEOREM. *The branching semi-globular cut is regular.*

PROOF. Let \mathcal{C} be a non-contracting ω -category. Let \mathcal{D} be the unique ω -category such that $\mathbb{P}\mathcal{D} = \mathbb{P}^-\mathcal{C}$ and with $s_0(\mathbb{P}\mathcal{D}) = \{\alpha\}$, $t_0(\mathbb{P}\mathcal{D}) = \{\beta\}$ and $\alpha \neq \beta$. Then $\mathcal{N}_n^{\text{gl}}(\mathcal{D}) = \mathcal{N}_n^{\text{gl}^-}(\mathcal{C})$ for any $n \geq 0$. So the regularity of the branching semi-globular nerve comes from that of the globular nerve [8]. ■

The reduced branching semi-globular homology theory is denoted by HR^{gl^-} , the branching semi-globular folding operators by Φ^{gl^-} and $\square_n^{\text{gl}^-}$.

8.4. THEOREM. *Let \mathcal{C} be a non-contracting ω -category. Then for any $n \geq 0$, $\text{CR}_n^{\text{gl}^-}(\mathcal{C})$ is generated by the $\Phi^{\text{gl}^-}(h^-(x))$ for x running over \mathcal{C}_n . Moreover, one has*

- *if $x, y \in \mathcal{C}_n$ and if $x *_0 y$ exists, then $\Phi^{\text{gl}^-}(h^-(x *_0 y)) = \Phi^{\text{gl}^-}(h^-(x))$*
- *if $x, y \in \mathcal{C}_n$ and if $x *_r y$ exists for $r \geq 1$, then $\Phi^{\text{gl}^-}(h^-(x *_r y)) = \Phi^{\text{gl}^-}(h^-(x)) + \Phi^{\text{gl}^-}(h^-(y))$ in $\text{CR}_n^{\text{gl}^-}(\mathcal{C})$.*

PROOF. The group $\text{CR}_n^{\text{gl}^-}(\mathcal{C})$ is generated by the $\Phi^{\text{gl}^-}(X)$ for $X \in \mathbb{P}^-\mathcal{C}$. By Theorem 3.5, $X = \Psi(h^-(x_1), \dots, h^-(x_s))$ where Ψ is an expression using only the composition laws $*_h$ for $h \geq 1$ and where $x_1, \dots, x_s \in \mathbb{P}\mathcal{C}$. By regularity of the branching semi-globular nerve, one deduces that $\text{CR}_n^{\text{gl}^-}(\mathcal{C})$ is generated by the $\Phi^{\text{gl}^-}(h^-(x))$ for x running over \mathcal{C}_n . The remaining part of the statement is clear. ■

So, as the family of operators \square_n^- does for the semi-cubical case, the family of operators $(\square_n^{\text{gl}^-})_{n \geq 0}$ induces a natural morphism of chain complexes from CF_*^- to $\text{CR}_*^{\text{gl}^-}$ by Theorem 8.4.

We close this section by the statement of the “thin elements” conjecture for the branching semi-globular nerve:

8.5. CONJECTURE. *Let \mathcal{C} be a non-contracting ω -category which is the free ω -category freely generated by a precubical set. Consider a linear combination $\sum_{i \in I} \lambda_i x_i$ of elements of $M_n^{\text{gl}^-}(\mathcal{C})$ with $\forall i \in I, \lambda_i \in \mathbb{Z}$. Then this linear combination is a cycle if and only if it is a boundary for the simplicial differential map.*

8.6. CONJECTURE. [7] *(The thin elements conjecture) Let K be a precubical set. Then the chain complex morphisms $C^{\text{gl}^\pm}(F(K)) \rightarrow \text{CR}^{\text{gl}^\pm}(F(K))$ induce isomorphisms in homology.*

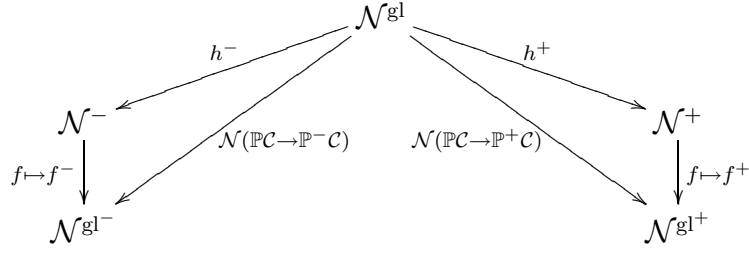


Figure 2: Recapitulation of all simplicial constructions

8.7. CONJECTURE. (*The extended thin elements conjecture*) Let K be a precubical set. Then the chain complex morphisms $C^{\text{gl}\pm}(\widehat{F(K)}) \rightarrow \text{CR}^{\text{gl}\pm}(\widehat{F(K)})$ induce isomorphisms in homology.

9. Comparison with the branching semi-cubical nerve

9.1. THEOREM. *There exists one and only one morphism of cuts from the branching semi-cubical cut to the branching semi-globular cut such that the underlying natural transformation from \mathbb{P} to \mathbb{P}^- is the canonical morphism $\mathbb{P} \rightarrow \mathbb{P}^-$ appearing in the definition of \mathbb{P}^- .*

PROOF. Let f_1 and f_2 be two morphisms of cuts from the branching semi-cubical nerve to the branching semi-globular nerve. For any non-contracting ω -category \mathcal{C} , $(f_1)_{-1}$ and $(f_2)_{-1}$ induce natural set maps from \mathcal{C}_0 to \mathcal{C}_0 . Since the only natural transformation from the identity functor of the category of sets to itself is the identity transformation (to see that, consider the case of a singleton), then $(f_1)_{-1}$ and $(f_2)_{-1}$ are both equal to the identity of \mathcal{C}_0 . If \mathcal{C} is the free ω -category $2_1(A)$ generated by one 1-morphism A , then \mathcal{C} is non-contracting. In that case, $\mathcal{N}_0^-(\mathcal{C}) = \{A\} = \mathcal{N}_0^{\text{gl}-}(\mathcal{C})$. So in that case, $(f_1)_0(A) = (f_2)_0(A)$. For any non-contracting ω -category \mathcal{C} and any $x \in \mathcal{C}_1$, there exists a unique ω -functor \underline{x} from $2_1(A)$ to \mathcal{C} such that $\underline{x}(A) = x$. So by naturality, $(f_1)_0(x) = (f_2)_0(x)$, and therefore $(f_1)_0$ and $(f_2)_0$ coincide everywhere. Notice that in general $\mathcal{N}_0^{\text{gl}-}(\mathcal{C}) \neq \mathcal{C}_1$ so the reasoning of the 0-th dimension does not apply to dimension 1. Now suppose that we have proved that $(f_1)_n = (f_2)_n$ for $n \leq n_0$ and $n_0 \geq 1$. Then $(f_1)_{n_0+1}$ and $(f_2)_{n_0+1}$ are two ω -functors from Δ^{n_0+1} to $\mathbb{P}^-\mathcal{C}$ which coincide on the n_0 -dimensional faces of Δ^{n_0+1} and such that $(f_1)_{n_0+1}(0 < \dots < n_0+1) = (f_2)_{n_0+1}(0 < \dots < n_0+1)$. Then $(f_1)_{n_0+1}$ and $(f_2)_{n_0+1}$ induce the same labeling of the faces of Δ^{n_0+1} , therefore by freeness of Δ^{n_0+1} , $(f_1)_{n_0+1} = (f_2)_{n_0+1}$.

Now let us prove the existence of this natural transformation. Let $f \in \omega\text{Cat}(I^{n+1}, \mathcal{C})^-$. Then for any $x \in G^{R(-n+1), -\mathbb{P}I^{n+1}}$, the morphism $f(x)$ cannot be 0-dimensional otherwise $s_1 f(x) = f(s_1 x)$ would be so as well. So the restriction of f to $G^{R(-n+1), -\mathbb{P}I^{n+1}} \subset \mathbb{P}I^{n+1}$ gives rise to an element of

$$\mathcal{N}_n^1(\mathcal{C}) := \omega\text{Cat}(G^{R(-n+1), -\mathbb{P}I^{n+1}}, \mathbb{P}\mathcal{C})$$

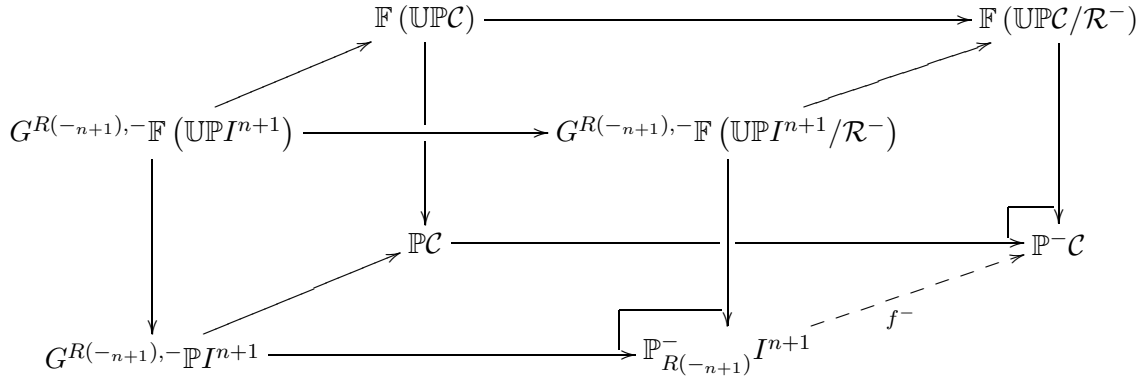


Figure 3: The canonical morphism from the branching semi-cubical to the branching semi-globular nerve

and therefore to elements of

$$\mathcal{N}_n^2(\mathcal{C}) := \omega\text{Cat} \left(G^{R(-n+1), -} \mathbb{F}(\text{UPI}^{n+1}), \mathbb{F}(\text{UPC}) \right)$$

and of

$$\mathcal{N}_n^3(\mathcal{C}) := \omega\text{Cat} \left(G^{R(-n+1), -} \mathbb{F}(\text{UPI}^{n+1}/\mathcal{R}^-), \mathbb{F}(\text{UPC}/\mathcal{R}^-) \right).$$

The ω -functors $\delta_i^- : I^n \rightarrow I^{n+1}$ and $\gamma_i^- : I^{n+2} \rightarrow I^{n+1}$ for $1 \leq i \leq n+1$ are all non-contracting. Since the natural maps $\mathcal{N}_n^- \rightarrow \mathcal{N}_n^i$ for $i = 1, 2, 3$ arise from restrictions, then one obtains three natural morphisms of simplicial sets $\mathcal{N}^- \rightarrow \mathcal{N}^i$ which yield a cone based on the diagram

$$\begin{array}{ccc} & \mathcal{N}^3 & \\ & \downarrow & \\ \mathcal{N}^1 & \longrightarrow & \mathcal{N}^2 \end{array}$$

Therefore one obtains a natural transformation

$$\mathcal{N}^- \longrightarrow \varprojlim \mathcal{N}^i \cong \omega\text{Cat} \left(\mathbb{P}_{R(-*+1)}^- I^{*+1}, - \right) \cong \mathcal{N}^{\text{gl}^-}$$

For $f \in \mathcal{N}^-(\mathcal{C})$, the corresponding element $f^- \in \mathcal{N}^{\text{gl}^-}$ is represented in Figure 3. \blacksquare

Let \mathcal{C} be a non-contracting ω -category. The natural transformation $\mathcal{N}^- \rightarrow \mathcal{N}^{\text{gl}^-}$ yields a natural morphism of chain complexes $\text{CR}_*^-(\mathcal{C}) \rightarrow \text{CR}_*^{\text{gl}^-}(\mathcal{C})$ by Section 6.

9.2. PROPOSITION. *The following diagram is commutative and the three maps are surjective:*

$$\begin{array}{ccc} & \text{CF}_*^- & \\ \square_*^- \swarrow & & \searrow \square_*^{\text{gl}^-} \\ \text{CR}_*^- & \longrightarrow & \text{CR}_*^{\text{gl}^-} \end{array}$$

PROOF. Let \mathcal{C} be a non-contracting ω -category. The only thing one has to prove is the surjectivity of $\text{CR}_*^-(\mathcal{C}) \rightarrow \text{CR}_*^{\text{gl}^-}(\mathcal{C})$. There is nothing to prove for $n = 0$ and $n = 1$. So let us suppose that $n \geq 2$. The group $\text{CR}_n^{\text{gl}^-}(\mathcal{C})$ is generated by the elements of the form $\square_n^{\text{gl}^-}(x)$ where $x \in (\mathbb{P}^-\mathcal{C})_{n-1}$. The canonical map $\mathbb{P}\mathcal{C} \rightarrow \mathbb{P}^-\mathcal{C}$ is generally not surjective on the underlying sets but by Theorem 3.5, any element of $(\mathbb{P}^-\mathcal{C})_{n-1}$ is a composite of elements of $\mathbb{P}\mathcal{C}$ by only using the composition laws $*_r$ for $r \geq 1$. Since the branching semi-globular nerve is regular, then $\square_n^{\text{gl}^-}(x)$ is therefore equal to a sum of elements of the form $\square_n^{\text{gl}^-}(h^-(z))$ where $z \in (\mathbb{P}^-\mathcal{C})_{n-1}$. Hence the surjectivity. ■

These three maps are likely to be injective for any non-contracting ω -category \mathcal{C} but we have not yet been able to verify it. The latter conjecture together with the thin elements conjecture means that for ω -categories modeling HDA, i.e. freely generated by precubical sets, both simplicial homology theories H_*^- and $H_*^{\text{gl}^-}$ coincide.

Figure 2 is a recapitulation of all constructions made so far ($\mathcal{N}^{\text{gl}^+}$ is the merging semi-globular cut, that is the Kan version of the merging nerve). The figure represents a commutative diagram. The morphisms h^- and h^+ are those defined in [8]. The maps $\mathcal{N}^- \rightarrow \mathcal{N}^{\text{gl}^-}$ and $\mathcal{N}^+ \rightarrow \mathcal{N}^{\text{gl}^+}$ are the maps constructed in Theorem 9.1. The composites $\mathcal{N}^{\text{gl}} \rightarrow \mathcal{N}^{\text{gl}^-}$ and $\mathcal{N}^{\text{gl}} \rightarrow \mathcal{N}^{\text{gl}^+}$ are induced by the natural transformations $\mathbb{P} \rightarrow \mathbb{P}^-$ (resp. $\mathbb{P} \rightarrow \mathbb{P}^+$).

10. Concluding discussion

Any HDA can be modeled by a precubical set K . The prefix “pre” means that there are no degeneracy maps in the data.

We have worked so far with the strict globular ω -category $F(K)$ freely generated by the precubical set K . This paper shows, hopefully with convincing arguments, that we can deal directly with the non-contracting ω -category $\widehat{F(K)}$ obtained by making the path ω -category $\mathbb{P}F(K)$ a strict globular ω -groupoid in a universal way, without changing the information contained in the homology groups introduced so far. The non-contracting ω -category $\widehat{F(K)}$ is obtained from the non-contracting ω -category $F(K)$ by adding inverses to morphisms of dimension greater than 2 and with respect to all composition laws of dimension greater than 1. This is very satisfactory from the point of view of computer-scientific modeling because there are no reasons for an homotopy between non-constant execution paths to be not invertible. In this new setting, the globular nerve $\mathcal{N}^{\text{gl}}(\widehat{F(K)})$ of $\widehat{F(K)}$ becomes a Kan complex.

Starting from a non-contracting ω -category \mathcal{C} , we have then introduced in this paper two ω -categories $\mathbb{P}^-\mathcal{C}$ and $\mathbb{P}^+\mathcal{C}$ whose 0-morphisms are the germs of 1-morphisms of \mathcal{C} beginning (resp. ending) in the same way and whose higher dimensional morphisms are the germs of homotopies between them. We have then obtained the diagram of non-

contracting ω -categories

$$\begin{array}{ccc} & \mathbb{P}\mathcal{C} & \\ h^- \swarrow & & \searrow h^+ \\ \mathbb{P}^-\mathcal{C} & & \mathbb{P}^+\mathcal{C} \end{array}$$

Applied to the particular case $\mathcal{C} = \widehat{F(K)}$, one obtains the diagram of strict globular ω -groupoids

$$\begin{array}{ccc} & \widehat{\mathbb{P}F(K)} & \\ h^- \swarrow & & \searrow h^+ \\ \mathbb{P}^-\widehat{F(K)} & & \mathbb{P}^+\widehat{F(K)} \end{array}$$

whose corresponding simplicial homologies give us the globular homology and the new branching and merging homologies.

Loosely speaking, the strict globular ω -groupoid $\widehat{\mathbb{P}F(K)}$ plays the role of the space of non-constant execution paths of the HDA, and the strict globular ω -groupoid $\mathbb{P}^-\widehat{F(K)}$ (resp. $\mathbb{P}^+\widehat{F(K)}$) plays the role of the space of germs of non-constant execution paths beginning (resp. ending) in the same way. So these results tell us that what matters for the homological study of dihomotopy is to have a set of states (the set of 0-morphisms) and a space of non-constant execution paths, the two other spaces being characterized by the space of non-constant execution paths and the composition law $*_0$. This idea is implemented in [4] in a topological context.

11. Acknowledgments

I thank the referee for helpful comments and the editor for his patience.

References

- [1] R. Brown and P. J. Higgins. The equivalence of ∞ -groupoids and crossed complexes. *Cahiers Topologie Géom. Différentielle Catég.*, 22(4):371–386, 1981.
- [2] R. Brown and P. J. Higgins. On the algebra of cubes. *J. Pure Appl. Algebra*, 21(3):233–260, 1981.
- [3] R. Cridlig. Implementing a static analyzer of concurrent programs: Problems and perspectives. In *Logical and Operational Methods in the Analysis of Programs and Systems*, pages 244–259, 1996.
- [4] P. Gaucher. A Convenient Category for The Homotopy Theory of Concurrency. arXiv:math.AT/0201252.

- [5] P. Gaucher. From concurrency to algebraic topology. In *Electronic Notes in Theoretical Computer Science*, volume 39, page 19pp. Elsevier Science Publishers, 2000.
- [6] P. Gaucher. Homotopy invariants of higher dimensional categories and concurrency in computer science. *Math. Structures Comput. Sci.*, 10:481–524, 2000.
- [7] P. Gaucher. Combinatorics of branchings in higher dimensional automata. *Theory Appl. Categ.*, 8(12):324–376, 2001.
- [8] P. Gaucher. About the globular homology of higher dimensional automata. *Cahiers Topologie Géom. Différentielle Catég.*, 43(2):107–156, 2002.
- [9] E. Goubault. *The Geometry of Concurrency*. PhD thesis, École Normale Supérieure, 1995.
- [10] S. Mac Lane. *Categories for the working mathematician*. Springer-Verlag, New York, second edition, 1998.
- [11] J. P. May. *Simplicial objects in algebraic topology*. D. Van Nostrand Co., Inc., Princeton, N.J.-Toronto, Ont.-London, 1967. Van Nostrand Mathematical Studies, No. 11.
- [12] J. Pénon. Approche polygraphique des ∞ -catégories non strictes. *Cahiers Topologie Géom. Différentielle Catég.*, 40(1):31–80, 1999.
- [13] V. Pratt. Modeling concurrency with geometry. In ACM Press, editor, *Proc. of the 18th ACM Symposium on Principles of Programming Languages*, 1991.
- [14] R. Steiner. Tensor products of infinity-categories. University of Glasgow, 1991.
- [15] R. Steiner. Pasting in multiple categories. *Theory Appl. Categ.*, 4:No. 1, 1–36 (electronic), 1998.
- [16] R. Street. The algebra of oriented simplexes. *J. Pure Appl. Algebra*, 49(3):283–335, 1987.
- [17] R. Street. The petit topos of globular sets. *J. Pure Appl. Algebra*, 154(1-3):299–315, 2000. Category theory and its applications (Montreal, QC, 1997).
- [18] C. A. Weibel. *An introduction to homological algebra*. Cambridge University Press, Cambridge, 1994.

Institut de Recherche Mathématique Avancée

ULP et CNRS

7 rue René Descartes

67084 Strasbourg Cedex

France

Email: `gaucher@irma.u-strasbg.fr`

This article may be accessed via WWW at <http://www.tac.mta.ca/tac/> or by anonymous ftp at <ftp://ftp.tac.mta.ca/pub/tac/html/volumes/11/3/11-03.{dvi,ps}>

THEORY AND APPLICATIONS OF CATEGORIES (ISSN 1201-561X) will disseminate articles that significantly advance the study of categorical algebra or methods, or that make significant new contributions to mathematical science using categorical methods. The scope of the journal includes: all areas of pure category theory, including higher dimensional categories; applications of category theory to algebra, geometry and topology and other areas of mathematics; applications of category theory to computer science, physics and other mathematical sciences; contributions to scientific knowledge that make use of categorical methods.

Articles appearing in the journal have been carefully and critically refereed under the responsibility of members of the Editorial Board. Only papers judged to be both significant and excellent are accepted for publication.

The method of distribution of the journal is via the Internet tools WWW/ftp. The journal is archived electronically and in printed paper format.

SUBSCRIPTION INFORMATION. Individual subscribers receive (by e-mail) abstracts of articles as they are published. Full text of published articles is available in .dvi, Postscript and PDF. Details will be e-mailed to new subscribers. To subscribe, send e-mail to tac@mta.ca including a full name and postal address. For institutional subscription, send enquiries to the Managing Editor, Robert Rosebrugh, rosebrugh@mta.ca.

INFORMATION FOR AUTHORS. The typesetting language of the journal is \TeX , and \LaTeX is the preferred flavour. \TeX source of articles for publication should be submitted by e-mail directly to an appropriate Editor. They are listed below. Please obtain detailed information on submission format and style files from the journal's WWW server at <http://www.tac.mta.ca/tac/>. You may also write to tac@mta.ca to receive details by e-mail.

EDITORIAL BOARD.

John Baez, University of California, Riverside: baez@math.ucr.edu
Michael Barr, McGill University: barr@barrs.org, *Associate Managing Editor*
Lawrence Breen, Université Paris 13: breen@math.univ-paris13.fr
Ronald Brown, University of Wales Bangor: r.brown@bangor.ac.uk
Jean-Luc Brylinski, Pennsylvania State University: jlb@math.psu.edu
Aurelio Carboni, Università dell'Insubria: aurelio.carboni@uninsubria.it
Valeria de Paiva, Palo Alto Research Center: paiva@parc.xerox.com
Martin Hyland, University of Cambridge: M.Hyland@dpms.cam.ac.uk
P. T. Johnstone, University of Cambridge: ptj@dpms.cam.ac.uk
G. Max Kelly, University of Sydney: maxk@maths.usyd.edu.au
Anders Kock, University of Aarhus: kock@imf.au.dk
Stephen Lack, University of Western Sydney: s.lack@uws.edu.au
F. William Lawvere, State University of New York at Buffalo: wlawvere@buffalo.edu
Jean-Louis Loday, Université de Strasbourg: loday@math.u-strasbg.fr
Ieke Moerdijk, University of Utrecht: moerdijk@math.uu.nl
Susan Niefield, Union College: niefiels@union.edu
Robert Paré, Dalhousie University: pare@mathstat.dal.ca
Robert Rosebrugh, Mount Allison University: rrosebrugh@mta.ca, *Managing Editor*
Jiri Rosicky, Masaryk University: rosicky@math.muni.cz
James Stasheff, University of North Carolina: jds@math.unc.edu
Ross Street, Macquarie University: street@math.mq.edu.au
Walter Tholen, York University: tholen@mathstat.yorku.ca
Myles Tierney, Rutgers University: tierney@math.rutgers.edu
Robert F. C. Walters, University of Insubria: robert.walters@uninsubria.it
R. J. Wood, Dalhousie University: rjwood@mathstat.dal.ca